

HP 540 Notebook PC
HP 541 Notebook PC
Maintenance and Service Guide



© Copyright 2008 Hewlett-Packard
Development Company, L.P.

Bluetooth is a trademark owned by its proprietor and used by Hewlett-Packard Company under license, and Intel, Core, and Celeron are trademarks of Intel Corporation in the United States and other countries. Microsoft, Windows, and Windows Vista are U.S. registered trademarks of Microsoft Corporation. SD Logo is a trademark of its proprietor.

The information contained herein is subject to change without notice. The only warranties for HP products and services are set forth in the express warranty statements accompanying such products and services. Nothing herein should be construed as constituting an additional warranty. HP shall not be liable for technical or editorial errors or omissions contained herein.

Second Edition: October 2008

First Edition: August 2008

Document Part Number: 504356-002

Safety warning notice

-
- ⚠ **WARNING!** To reduce the possibility of heat-related injuries or of overheating the computer, do not place the computer directly on your lap or obstruct the computer air vents. Use the computer only on a hard, flat surface. Do not allow another hard surface, such as an adjoining optional printer, or a soft surface, such as pillows or rugs or clothing, to block airflow. Also, do not allow the AC adapter to contact the skin or a soft surface, such as pillows or rugs or clothing, during operation. The computer and the AC adapter comply with the user-accessible surface temperature limits defined by the International Standard for Safety of Information Technology Equipment (IEC 60950).
-

Table of contents

1 Product description

2 External component identification

Top components	7
TouchPad	7
Buttons, lights, and speaker	8
Keys	9
Front components	10
Right-side components	10
Left-side components	11
Bottom components	12
Wireless antennae (select models only)	13

3 Illustrated parts catalog

Serial number location	14
Computer major components	15
Plastics Kit	19
Cable Kit	20
Mass storage devices	21
Miscellaneous parts	22
Sequential part number listing	24

4 Removal and replacement procedures

Preliminary replacement requirements	29
Tools required	29
Service considerations	29
Plastic parts	29
Cables and connectors	30
Drive handling	30
Grounding guidelines	31
Electrostatic discharge damage	31
Packaging and transporting guidelines	32
Workstation guidelines	32

Equipment guidelines	33
Unknown user password	34
Component replacement procedures	35
Serial number	35
Computer feet	36
Battery	37
Hard drive	38
WLAN module	40
Memory module	43
Optical drive	45
Switch cover and keyboard	47
Speaker	51
Display lid switch module	52
Display assembly	53
Top cover	58
TouchPad board and TouchPad button board	61
Bluetooth module	64
System board	66
Fan	69
Heat sink	71
Processor	74
Modem module	76
RTC battery	78
ExpressCard assembly	79

5 Computer Setup

Starting Computer Setup	81
Using Computer Setup	82
Navigating and selecting in Computer Setup	82
Restoring factory settings in Computer Setup	82
Computer Setup menus	83
File menu	83
Security menu	84
Diagnostics menu	84
System Configuration menu	85

6 Specifications

Computer specifications	88
14.1-inch, WXGA display specifications	89
Hard drive specifications	90
DVD±RW and CD-RW Double-Layer Combo Drive specifications	91
DVD/CD-RW Combo Drive specifications	92
System DMA specifications	93

System interrupt specifications	94
System I/O address specifications	95
System memory map specifications	97

7 Screw listing

Phillips PM2.0×5.0 captive screw	99
Phillips PM2.5×12.0 captive screw	100
Phillips PM3.0×4.0 screw	101
Phillips PM2.5×4.0 screw	102
Slotted Torx ST8M2.5×7.0 screw	103
Phillips PM2.0×4.0 screw	106
Torx T8M2.5×3.0 broad-head screw	108
Torx T8M2.5×4.0 screw	109
Torx T8M2.5×6.0 screw	110
Phillips PM2.0×2.0 broad-head screw	111
Phillips PM2.0×6.0 screw	112
Phillips PM2.5×7.0 screw	113
Phillips PM2.5×7.0 captive screw	114
Phillips PM2.5×10.0 captive screw	115
Phillips PM2.0×8.0 screw	117

8 Backup and recovery

Backup and recovery in Windows Vista	119
Overview	119
Backing up your information	119
Performing a recovery	120
Using the Windows recovery tools	120
Using f11	121
Using a Windows Vista operating system DVD (purchased separately)	121
Backup and Recovery in Windows XP	123
Overview	123
Backing up your information	123
Performing a recovery	124
Recovering your information	124
Recovering the operating system and programs	124

9 Connector pin assignments

Audio-out (headphone)	125
Audio-in (microphone)	125
External monitor	126
RJ-11 (modem)	127
RJ-45 (network)	128
Universal Serial Bus	128

10 Power cord set requirements

Requirements for all countries and regions 129
Requirements for specific countries and regions 130

11 Recycling

Battery 131
Display 131

Index 137

1 Product description

Category	Description	Computer models equipped with GLE960 system board	Computer models equipped with GME965 system board	Computer models equipped with PM965 system board
		HP 540	HP 540	HP 541
Product Name	HP 540 Notebook PC	√	√	√
	HP 541 Notebook PC			√
Processors	Intel® Core™2 Duo processors			
	<ul style="list-style-type: none"> T5670 1.80-GHz processor, 2-MB L2 cache, 800-MHz front side bus (FSB) 		√	√
	<ul style="list-style-type: none"> T5470 1.60-GHz processor, 2-MB L2 cache, 800-MHz front side bus (FSB) 		√	√
	<ul style="list-style-type: none"> T5270 1.40-GHz processor, 2-MB L2 cache, 800-MHz FSB 		√	√
	Intel Celeron® M processors			
	<ul style="list-style-type: none"> P550 2.0-GHz processor, 1-MB L2 cache, 533-MHz FSB (single core) 	√		
	<ul style="list-style-type: none"> P530 1.73-GHz processor, 533-MHz FSB (single core) 	√		√
Chipset	Intel Celeron M processors, Dual Core			
	<ul style="list-style-type: none"> T1400 1.73-GHz processor, 533MHz FSB 	√		√
	Northbridge: Intel GME965 with up to 800-MHz FSB		√	√
	Northbridge: Intel GLE960 with up to 533-MHz FSB	√		
	Northbridge: Intel PM965 with up to 800-MHz FSB			√
	Southbridge: Intel ICH-8M	√	√	√

Category	Description	Computer models equipped with GLE960 system board HP 540	Computer models equipped with GME965 system board HP 540	Computer models equipped with PM965 system board HP 541
Graphics	ATI-M62s discrete graphics subsystem memory			√
	64 MB DDR2 (16Mx16, Quantity 2)			
	128 MB DDR2 (16Mx16, Quantity 4)			
	Intel GMA X3100 Universal Memory Architecture (UMA) graphics subsystem integrated with shared video memory (dynamically allocated)	√	√	
Panel	All display assemblies include 2 wireless local area network (WLAN) antennae	√	√	√
	<ul style="list-style-type: none"> 14.1-inch WXGA BrightView 	√	√	√
Memory	2 customer-accessible/upgradable memory module slots	√	√	√
	Supports dual-channel memory	√	√	√
	Supports up to 4 GB of system RAM	√	√	√
	PC2-5300, 667-MHz, DDR2	√	√	√
	Supports the following configurations in all countries and regions except Brazil:			
	<ul style="list-style-type: none"> 4096-MB total system memory (2048 × 2, dual-channel) 		√	√
	<ul style="list-style-type: none"> 3072-MB total system memory (2048 + 1024) 			
	<ul style="list-style-type: none"> 2560-MB total system memory (2048 + 512) 			
	<ul style="list-style-type: none"> 2048-MB total system memory (1024 × 2, dual-channel) 	√	√	√
	<ul style="list-style-type: none"> 2048-MB total system memory (2048 × 1) 1536-MB total system memory (1024 + 512) 1024-MB total system memory (512 × 2, dual-channel) 1024-MB total system memory (1024 × 1) 512-MB total system memory (512 × 1) 			

Category	Description	Computer models equipped with GLE960 system board HP 540	Computer models equipped with GME965 system board HP 540	Computer models equipped with PM965 system board HP 541
	Supports the following configurations only in Brazil:	√	√	
	<ul style="list-style-type: none"> 2048-MB total system memory (2048 × 1) 2048-MB total system memory (1024 × 2, dual-channel) 1024-MB total system memory (1024 × 1) 1024-MB total system memory (512 × 2, dual-channel) 512-MB total system memory (512 × 1) 			
Hard drives	Supports 9.5-mm, 2.5-inch hard drives	√	√	√
	Customer-accessible	√	√	√
	Serial ATA	√	√	√
	Supports the following drives:	√	√	√
	<ul style="list-style-type: none"> 250-GB, 5400-rpm 160-GB, 5400-rpm 120-GB, 5400-rpm 			
	HP 3D DriveGuard	√	√	√
Optical drives	Fixed (removal of 1 screw required)	√	√	√
	Customer-accessible	√	√	√
	Parallel ATA	√	√	
	Serial ATA	√	√	√
	12.7-mm tray load	√	√	√
	Supports the following drives:	√	√	√
	<ul style="list-style-type: none"> DVD±RW and CD-RW Super Multi Double-Layer Combo Drive with LightScribe DVD/CD-RW Combo Drive DVD-ROM Drive 			
Diskette drive	Supports external USB diskette drive only	√	√	√
	Supports boot from external USB diskette drive	√	√	√
	Supports 3-mode diskette drive	√	√	√

Category	Description	Computer models equipped with GLE960 system board	Computer models equipped with GME965 system board	Computer models equipped with PM965 system board
		HP 540	HP 540	HP 541
Audio	HD audio - ADI1981	√	√	√
Modem	56K Vulcan-F 1.5-inch data/fax modem with digital line guard	√	√	√
Ethernet	Intel 82562GT	√	√	√
	S3/S4/S5 wake on LAN: DC - no	√	√	√
	S3/S4/S5 wake on LAN: AC - yes	√	√	√
Wireless	Integrated WLAN options by way of wireless module:			
	2 WLAN antennae built into display assembly	√	√	√
	Support for no-WLAN option	√	√	√
	Support for the following WLAN formats:	√	√	√
	<ul style="list-style-type: none"> • Intel 802.11 a/b/g/n • Broadcom 802.11 a/b/g • Broadcom 802.11 b/g • Intel 802.11 a/b/g • Intel 802.11 b/g • Intel Kedron 802.11 a/b/g without iAMT • Intel Kedron 802.11 a/b/g/n without iAMT 			
	Integrated personal area network (PAN) options by way of Bluetooth® module:			
	Support for no-WPAN option	√	√	√
	Broadcom Bluetooth 2.0+EDR	√	√	√
External media card	One ExpressCard/54 slot	√	√	√
	SD Card Reader supporting Secure Digital (SD) Memory Card and MultiMediaCard (MMC)	√	√	√
Ports	Audio-in (stereo microphone)	√	√	√
	Audio-out (stereo headphone)	√	√	√
	RJ-11 (modem)	√	√	√
	RJ-45 (Ethernet, includes link and activity lights)	√	√	√
	USB (3)	√	√	√

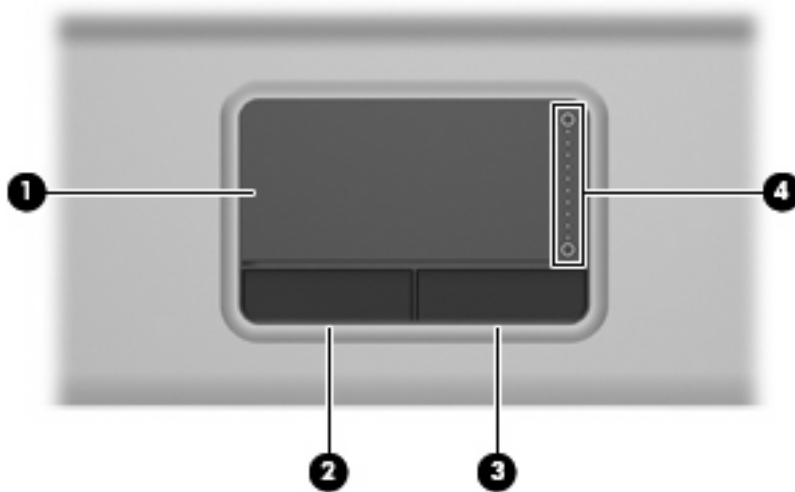
Category	Description	Computer models equipped with GLE960 system board	Computer models equipped with GME965 system board	Computer models equipped with PM965 system board
		HP 540	HP 540	HP 541
	VGA (Dsub 15-pin) supporting 1600 × 1200 external resolution at 75-GHz (hot plug/unplug with auto-detect)	√	√	√
	2-pin AC power	√	√	√
Keyboard/ pointing devices	11.97-inch keyboard with embedded numeric keypad	√	√	√
	TouchPad only, with 2 TouchPad buttons and vertical scrolling (taps enabled as default)	√	√	√
Power requirements	90-W AC adapter with localized cable plug support (2-wire plug with ground pin, supports 2-pin DC connector)			√
	65-W AC adapter with localized cable plug support (2-wire plug with ground pin, supports 2-pin DC connector)	√	√	
	6-cell, 47-Wh Li-ion battery	√	√	√
Security	Supports Kensington security lock	√	√	√
Operating system	Preinstalled:			
	Windows Vista® Basic 32 with Office Ready	√	√	√
	Windows Vista Basic 32 Japan with Office Personal (in Japan only)	√	√	
	Windows Vista Basic 32 Japan with Office Personal with PowerPoint (in Japan only)	√	√	
	Windows Vista Basic 32 Japan with Office Professional (in Japan only)	√	√	
	Windows Vista Business 32	√	√	√
	Windows Vista Business 32 with Office Ready (in Japan only)	√	√	
	Windows Vista Business 32 Japan with Office Personal (in Japan only)	√	√	
	Windows Vista Business 32 Japan with Office Personal with PowerPoint (in Japan only)	√	√	
	Windows Vista Business 32 Japan with Office Professional (in Japan only)			
	Windows Vista Business with Windows® XP Professional with Office Ready	√	√	√

Category	Description	Computer models equipped with GLE960 system board	Computer models equipped with GME965 system board	Computer models equipped with PM965 system board
		HP 540	HP 540	HP 541
	Windows Vista Business with XP Professional (in Japan only)	√	√	
	Windows Vista Business with XP Professional with Office Personal (in Japan only)	√	√	
	Windows Vista Business with XP Professional with Office Personal with PowerPoint (in Japan only)	√	√	
	Windows Vista Business with XP Professional with Office Professional (in Japan only)	√	√	
	FreeDOS	√	√	√
	Red Flag Linux (in the People's Republic of China only)	√	√	√
	Mandriva Linux	√	√	
	Restore media:			
	Windows Vista Basic 32	√	√	√
	Windows Vista Business 32	√	√	√
	Office Ready DVD	√	√	√
	Windows XP Professional	√	√	√
	Red Flag Linux (in the People's Republic of China only)	√	√	√
	DRDVD Windows Vista	√	√	√
	DRDVD Windows XP Pro	√	√	√
	Web Support: Windows XP Professional	√	√	√
	Certified: Microsoft® WHQL	√	√	√
Serviceability	End-user replaceable parts:			
	AC adapter	√	√	√
	Battery (system)	√	√	√
	Hard drive	√	√	√
	Memory module	√	√	√
	Optical drive	√	√	√
	WLAN module	√	√	√

2 External component identification

Top components

TouchPad



Item	Component	Function
(1)	TouchPad*	Moves the pointer and selects or activates items on the screen.
(2)	Left TouchPad button*	Functions like the left button on an external mouse.
(3)	Right TouchPad button*	Functions like the right button on an external mouse.
(4)	TouchPad scroll zone	Scrolls up or down.

*This table describes factory settings. View or change pointing device preferences as follows:

- In Windows Vista, select **Start > Control Panel > Hardware and Sound > Mouse**.
- In Windows XP, select **Start > Control Panel > Printers and Other Hardware > Mouse**.

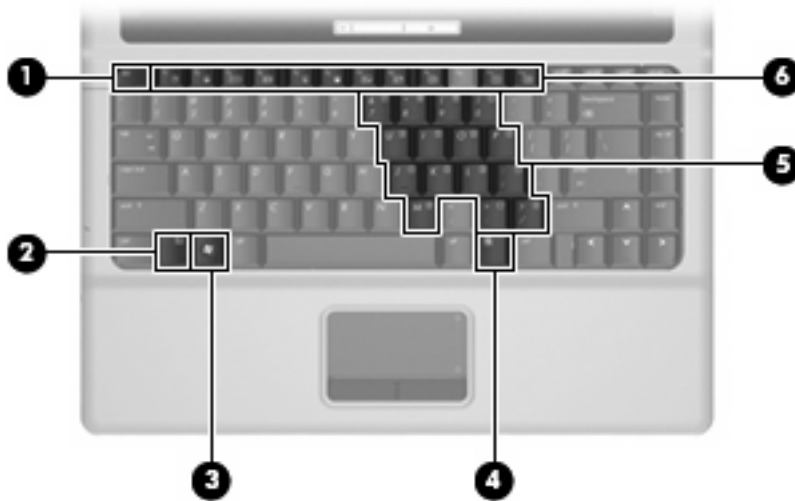
Buttons, lights, and speaker



Item	Component	Function
(1)	Caps lock light	On: Caps lock is on.
(2)	Wireless button	Turns the wireless feature on or off, but does not establish a wireless connection. NOTE: You must set up or access a wireless network to establish a wireless connection.
(3)	Wireless light	<ul style="list-style-type: none"> Blue: An integrated wireless device, such as a wireless local area network (WLAN) device, the HP Broadband Wireless Module, and/or a Bluetooth® device, is on. Amber: All wireless devices are off.
(4)	Power button	<ul style="list-style-type: none"> When the computer is off, press the button to turn on the computer. When the computer is on, press the button to initiate Hibernation. When the computer is in the Sleep state (Windows Vista) or in Standby (Windows XP), press the button briefly to exit the Sleep state or Standby. When the computer is in Hibernation, press the button briefly to exit Hibernation. <p>If the computer has stopped responding and Windows® shutdown procedures are ineffective, press and hold the power button for at least 5 seconds to turn off the computer.</p> <p>To learn more about power settings, follow these steps:</p> <ul style="list-style-type: none"> In Windows Vista, select Start > Control Panel > System and Maintenance > Power Options. In Windows XP, select Start > Control Panel > Performance and Maintenance > Power Options.

Item	Component	Function
(5)	Power light	<ul style="list-style-type: none"> On: The computer is on. Blinking: The computer is in the Sleep state (Windows Vista) or Standby (Windows XP). Off: The computer is off or in Hibernation.
(6)	Speaker	Produces sound.

Keys



Item	Component	Function
(1)	esc key	Displays system information when pressed in combination with the fn key.
(2)	fn key	Executes frequently used system functions when pressed in combination with a function key or the esc key.
(3)	Windows logo key	Displays the Windows Start menu.
(4)	Windows applications key	Displays a shortcut menu for items beneath the pointer.
(5)	Embedded numeric keypad keys	Can be used like the keys on an external numeric keypad.
(6)	Function keys	Execute frequently used system functions when pressed in combination with the fn key.

Front components



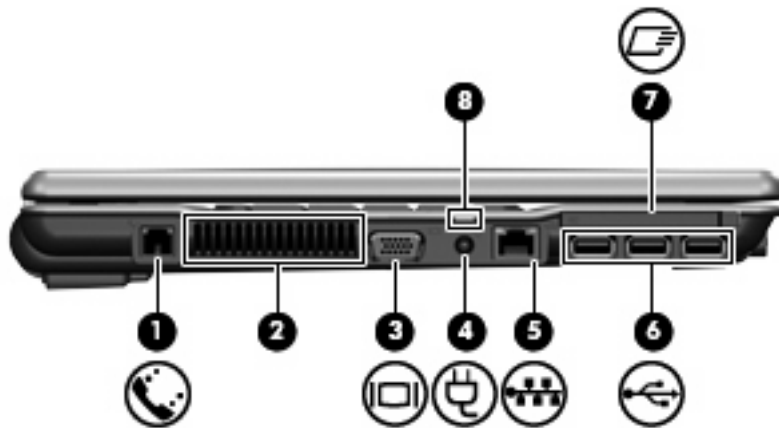
Item	Component	Function
(1)	Audio-out (headphone) jack	Connects optional powered stereo speakers, headphones, ear buds, a headset, or television audio.
(2)	Audio-in (microphone) jack	Connects an optional computer headset microphone, stereo array microphone, or monaural microphone.
(3)	SD Card Reader	Supports the following optional digital card formats: <ul style="list-style-type: none">• Secure Digital (SD) Memory Card• MultiMediaCard (MMC)

Right-side components



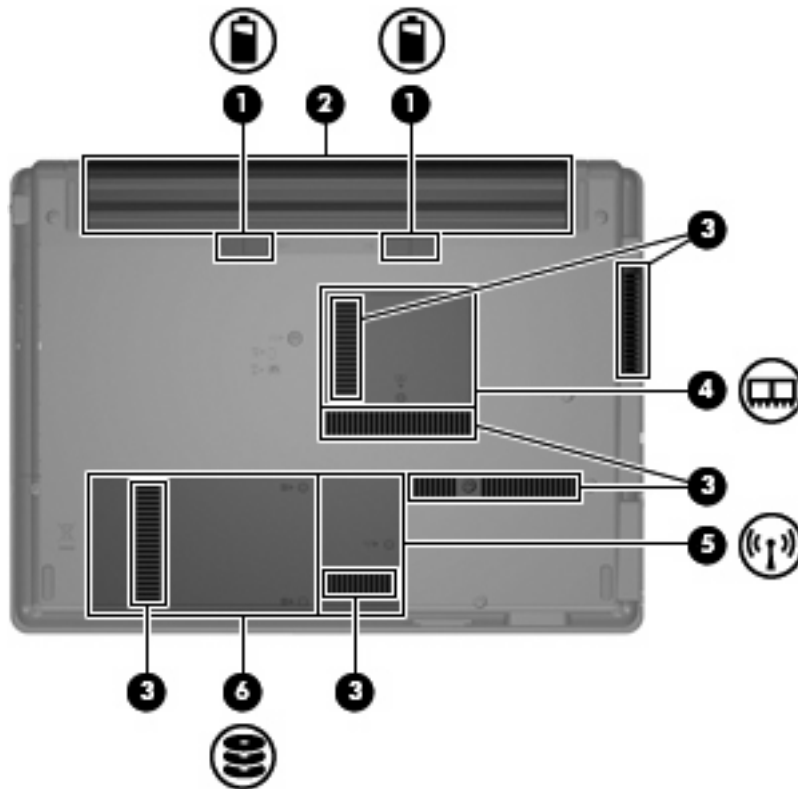
Item	Component	Function
(1)	Optical drive	Reads an optical disc.
(2)	Security cable slot	Attaches an optional security cable to the computer. NOTE: The security cable is designed to act as a deterrent, but it may not prevent the computer from being mishandled or stolen.

Left-side components



Item	Component	Function
(1)	RJ-11 (modem) jack	Connects a modem cable.
(2)	Vent	Enables airflow to cool internal components. NOTE: The computer fan starts up automatically to cool internal components and prevent overheating. It is normal for the internal fan to cycle on and off during routine operation.
(3)	External monitor port	Connects an external VGA monitor or projector.
(4)	Power connector	Connects an AC adapter.
(5)	RJ-45 (network) jack	Connects a network cable.
(6)	USB ports (3)	Connect optional USB devices.
(7)	ExpressCard slot	Supports optional ExpressCards.
(8)	Battery light	<ul style="list-style-type: none"> Amber: A battery is charging. Turquoise: A battery is close to full charge capacity. Blinking amber: A battery that is the only available power source has reached a low battery level. When the battery reaches a critical battery level, the battery light begins blinking rapidly. Off: If the computer is plugged into an external power source, the light turns off when all batteries in the computer are fully charged. If the computer is not plugged into an external power source, the light stays off until the battery reaches a low battery level.

Bottom components




Item	Component	Function
(1)	Battery release latches (2)	Release the battery from the battery bay.
(2)	Battery bay	Holds the battery.
(3)	Vents (6)	Enable airflow to cool internal components. NOTE: The computer fan starts up automatically to cool internal components and prevent overheating. It is normal for the internal fan to cycle on and off during routine operation.
(4)	Memory module compartment	Contains the memory module slots.
(5)	WLAN module compartment (select models only)	Contains a WLAN module slot. NOTE: To prevent an unresponsive system, replace the wireless module only with a wireless module authorized for use in the computer by the governmental agency that regulates wireless devices in your country or region. If you replace the module and then receive a warning message, remove the module to restore computer functionality, and then contact technical support through Help and Support.
(6)	Hard drive bay	Holds the hard drive.

Wireless antennae (select models only)

On select computer models, at least 2 antennae send and receive signals from one or more wireless devices. These antennae are not visible from the outside of the computer.



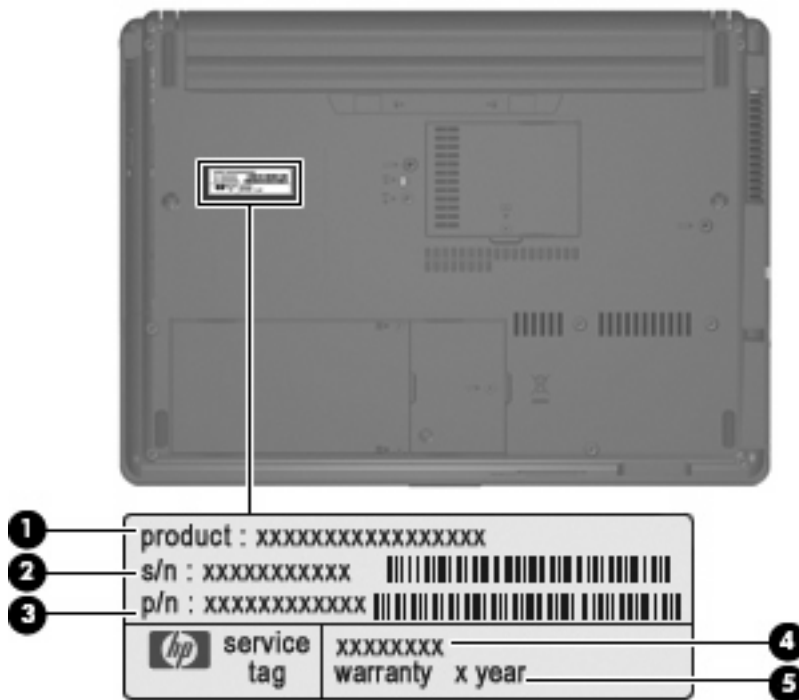
 **NOTE:** For optimal transmission, keep the areas immediately around the antennae free from obstructions.

To see wireless regulatory notices, refer to the section of the *Regulatory, Safety and Environmental Notices* that applies to your country or region. These notices are located in Help and Support.

3 Illustrated parts catalog

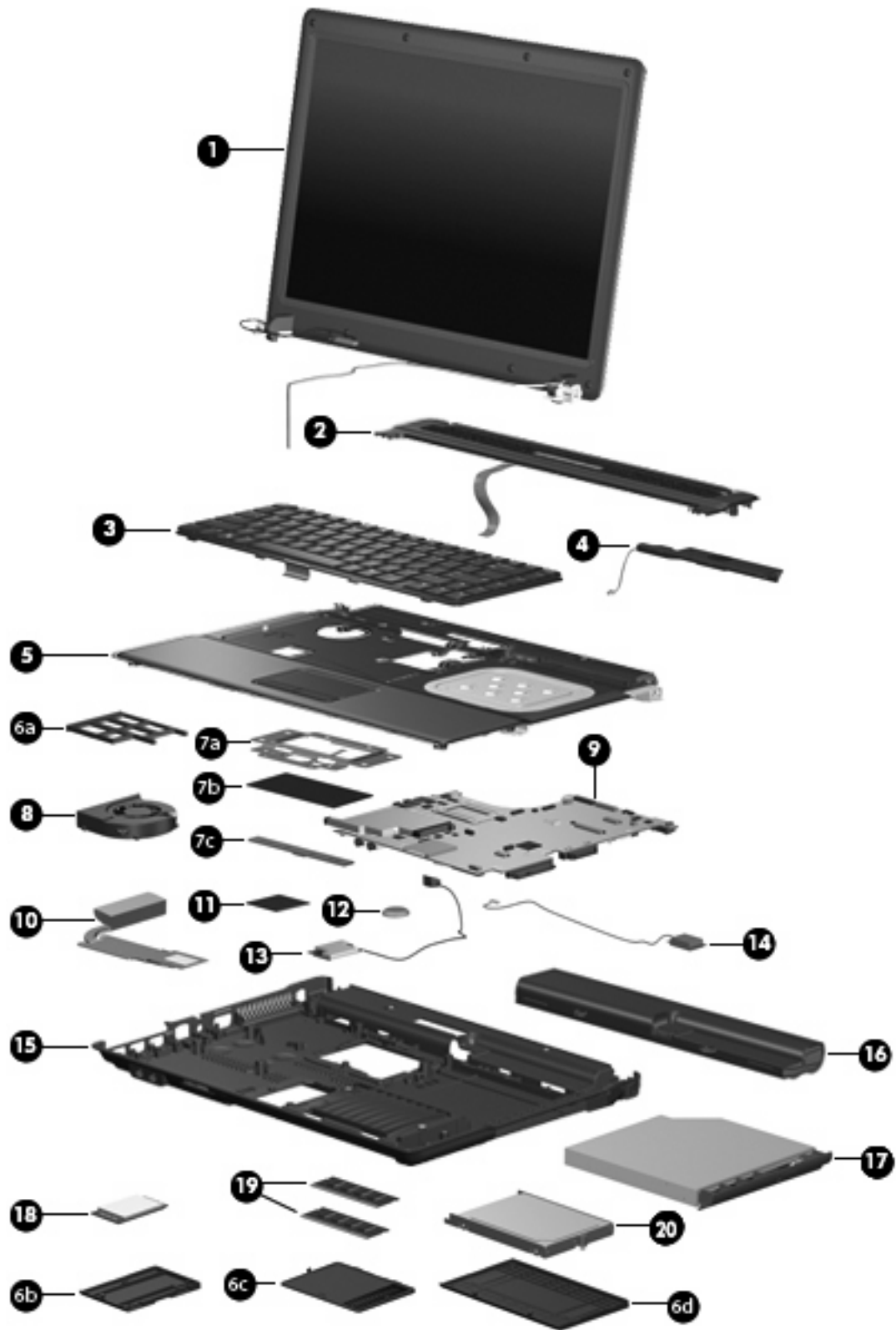
Serial number location

When ordering parts or requesting information, provide the computer serial number and model number located on the bottom of the computer.



- Product Name (1). This is the product name affixed to the front of the computer.
- Serial Number (s/n) (2). This is an alphanumeric identifier that is unique to each product.
- Part Number/Product Number (p/n) (3). This number provides specific information about the product's hardware components. The part number helps a service technician to determine what components and parts are needed.
- Model Description (4). This is the number you use to locate documents, drivers, and support for your notebook.
- Warranty Period (5). This number describes the duration (in years) of the warranty period for this computer.

Computer major components



Item	Description	Spare part number
(1)	Display assemblies (include 2 WLAN antenna transceivers and cables)	
	14.1-inch, WXGA BrightView display assembly	500004-001
	Display internal components:	
	Display bezel	500000-001
	Display enclosure (includes 2 WLAN antenna transceivers and cables)	500001-001
	Display hinges (includes left and right hinges)	456619-001
	Display inverter	456618-001
(2)	Switch cover (includes LED board and cable)	500001-001
(3)	Keyboards	
	For use in Brazil	499999-201
	For use in Japan	499999-291
	For use in Latin America	499999-161
	For use in South Korea	499999-AD1
	For use in Taiwan	499999-281
	For use in Thailand	499999-AB1
	For use in the United States	499999-001
(4)	Speaker	456593-001
(5)	Top cover (includes TouchPad board and cable, and TouchPad button board and cable)	500002-001
	Plastics Kit (see Plastics Kit on page 19 for more Plastics Kit spare part information):	456614-001
(6a)	ExpressCard slot protective insert	
(6b)	WLAN module compartment cover	
(6c)	Memory module compartment cover	
(6d)	Hard drive bay cover	
	TouchPad components (included with the top cover)	
(7a)	TouchPad bracket	
(7b)	TouchPad board (includes cable)	
(7c)	TouchPad button board (includes cable)	
(8)	Fan	431312-001
(9)	System boards (include replacement thermal material and the ExpressCard assembly)	
	<ul style="list-style-type: none"> For use only with computer models equipped with Intel Core2 Duo processors and UMA graphics subsystem 	495410-001
	<ul style="list-style-type: none"> For use only with computer models equipped with Intel Celeron M processors and UMA graphics subsystem 	495395-001
(10)	Heat sinks (include replacement thermal material)	
	For use only with computer models equipped with UMA graphics subsystem	456605-001

Item	Description	Spare part number
	For use only with computer models equipped with discrete graphics subsystem	456606-001
(11)	Processors (includes replacement thermal material)	
	Intel Core2 Duo processors:	
	• T5670 1.8-GHz (2-MB L2 cache, 800-MHz FSB)	508756-001
	• T5470 1.60-GHz (2-MB L2 cache, 800-MHz FSB)	500007-001
	• T5270 1.40-GHz (2-MB L2 cache, 800-MHz FSB)	500005-001
	Intel Celeron M processors:	
	• P550 2.0-GHz (1-MB L2 cache, 533-MHz FSB)	508757-001
	• P530 1.73-GHz (1-MB L2 cache, 533-MHz FSB)	500006-001
	Intel Celeron M Dual Core processors:	
	• T1400 1.73-GHz (1-MB L2 cache, 533-MHz FSB)	506448-001
(12)	RTC battery	449137-001
(13)	Broadcom Bluetooth modules (do not include Bluetooth module cable)	
	NOTE: The Bluetooth module spare part kits do not include a Bluetooth module cable. The Bluetooth module cable is included in the Cable Kit, spare part number 457400-001. See Cable Kit on page 20 for more Cable Kit spare part number information.	
	For use in all countries and regions except Japan and Asia Pacific countries and regions	398393-002
	For use only in Japan and Asia Pacific countries and regions	450066-001
(14)	Modem modules	
	NOTE: The modem module spare part kits do not include a modem module cable. The modem module cable is included in the Cable Kit, spare part number 457400-001. See Cable Kit on page 20 for more Cable Kit spare part number information.	
	For use only in the United States	461749-001
	For use only in Japan and Asia Pacific countries and regions	461749-011
(15)	Base enclosure (includes rubber feet)	
	For use only with computer models equipped with UMA graphics subsystem (includes rubber feet)	500003-001
	For use only with computer models equipped with discrete graphics subsystem (includes rubber feet)	460702-001
	Rubber Kit (not illustrated, contains 4 computer feet and 8 display bezel screw covers)	500132-001
(16)	6-cell, 47-Wh Li-ion battery	500014-001
(17)	Optical drives (include bezel and bracket)	
	DVD±RW and CD-RW SuperMulti Double-Layer Combo Drive with LightScribe	500018-001
	DVD/CD-RW Combo Drive	500017-001
	DVD-ROM Drive	500016-001
	Cable Kit (not illustrated; see Cable Kit on page 20 for more Cable Kit spare part number information)	457400-001

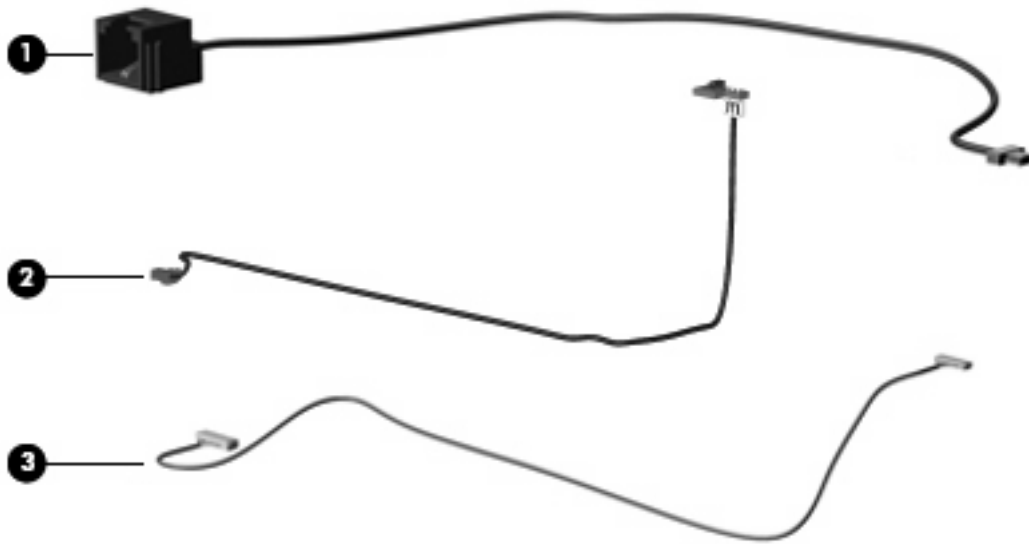
Item	Description	Spare part number
(18)	WLAN modules	
	Intel 802.11 a/b/g/n WLAN modules:	
	<ul style="list-style-type: none"> For use in Antigua and Barbuda, Argentina, Aruba, the Bahamas, Barbados, Bermuda, Brunei, Canada, the Cayman Islands, Chile, Colombia, Costa Rica, the Dominican Republic, Ecuador, El Salvador, Guam, Guatemala, Haiti, Honduras, Hong Kong, India, Indonesia, Malaysia, Mexico, Panama, Paraguay, Peru, Saudi Arabia, Taiwan, Uruguay, the United States, Venezuela, and Vietnam 	441086-001
	<ul style="list-style-type: none"> For use in Azerbaijan, Bahrain, Belgium, Brazil, Bulgaria, Croatia, Cyprus, the Czech Republic, Denmark, Egypt, Estonia, Finland, France, Georgia, Germany, Greece, Hungary, Iceland, Ireland, Israel, Italy, Latvia, Lebanon, Liechtenstein, Lithuania, Luxembourg, Malta, Monaco, the Netherlands, Norway, Oman, the Philippines, Poland, Portugal, Qatar, Romania, Russia, Serbia and Montenegro, Singapore, Slovakia, Slovenia, South Africa, Spain, Sri Lanka, Sweden, Switzerland, Turkey, Ukraine, the United Kingdom, and Uzbekistan 	441086-002
	<ul style="list-style-type: none"> For use in Australia, New Zealand, Pakistan, the People's Republic of China, and South Korea 	441086-003
	Intel 802.11 a/b/g WLAN modules:	
	<ul style="list-style-type: none"> For use in Antigua & Barbuda, Argentina, Aruba, the Bahamas, Barbados, Bermuda, Brunei, Canada, the Cayman Islands, Chile, Colombia, Costa Rica, the Dominican Republic, Ecuador, El Salvador, Guam, Guatemala, Haiti, Honduras, Hong Kong, India, Indonesia, Malaysia, Mexico, Panama, Paraguay, Peru, Saudi Arabia, Taiwan, the United States, Uruguay, Venezuela, and Vietnam 	451861-001
	<ul style="list-style-type: none"> For use in Austria, Azerbaijan, Bahrain, Belgium, Brazil, Bulgaria, Croatia, Cyprus, the Czech Republic, Denmark, Egypt, Estonia, Finland, France, Georgia, Germany, Greece, Hungary, Iceland, Ireland, Israel, Italy, Latvia, Lebanon, Liechtenstein, Lithuania, Luxembourg, Malta, Monaco, the Netherlands, Norway, Oman, the Philippines, Poland, Portugal, Qatar, Romania, Russia, Serbia and Montenegro, Singapore, Slovakia, Slovenia, South Africa, Spain, Sri Lanka, Sweden, Switzerland, Turkey, Ukraine, the United Kingdom, and Uzbekistan 	451861-002
	<ul style="list-style-type: none"> For use in Australia, New Zealand, Pakistan, the People's Republic of China, and South Korea 	451861-003
	<ul style="list-style-type: none"> For use in Japan 	451861-291
	<ul style="list-style-type: none"> For use in South Korea 	456576-AD1
(19)	Memory modules (PC2-5300, 667-MHz, DDR2)	
	2-GB	500009-001
	1-GB	500008-001
	512-MB	500010-001
(20)	Hard drives (include hard drive bracket)	
	250-GB, 5400-rpm	500013-001
	160-GB, 5400-rpm	500012-001
	120-GB, 5400-rpm	500011-001

Plastics Kit



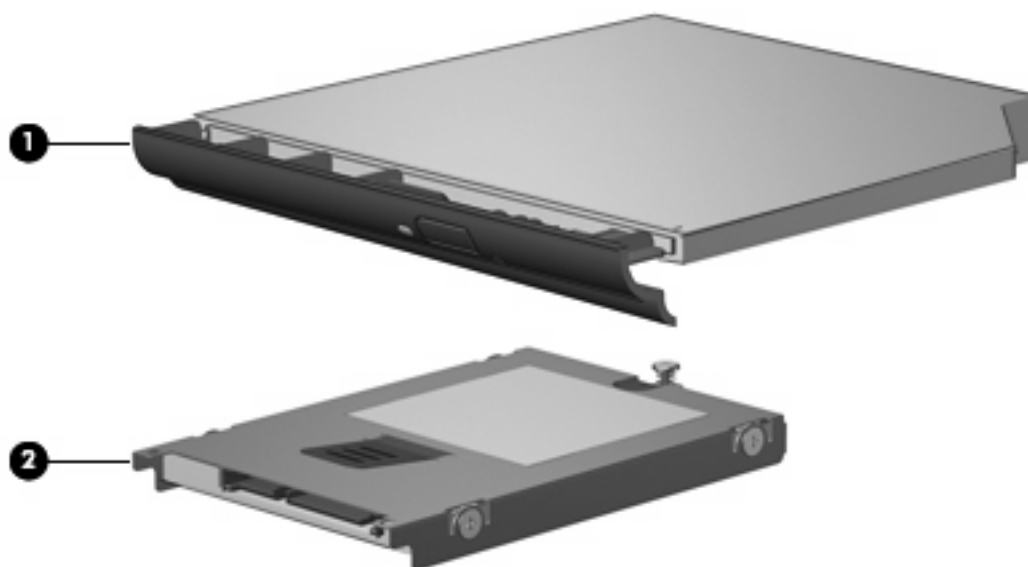
Item	Description	Spare part number
	Plastics Kit:	456614-001
(1)	Hard drive bay cover (includes 2 captive screws, secured by C-clips)	
(2)	WLAN module compartment cover (includes one captive screw, secured by a C-clip)	
(3)	ExpressCard slot protective insert	
(4)	Memory module compartment cover (includes one captive screw, secured by a C-clip)	

Cable Kit



Item	Description	Spare part number
	Cable Kit:	457400-001
(1)	RJ-11 jack cable	
(2)	Display lid switch module and cable	
(3)	Bluetooth module cable	

Mass storage devices



Item	Description	Spare part number
(1)	Optical drives (include bezel and bracket)	
	DVD±RW and CD-RW Super Multi Double-Layer Combo Drive with LightScribe (PATA)	500018-001
	DVD CD-RW Combo Drive (PATA)	500017-001
	DVD-ROM Drive (PATA)	500016-001
	DVD±RW and CD-RW Super Multi Double-Layer Combo Drive with LightScribe (SATA)	506010-011
	DVD CD-RW Combo Drive (SATA)	506011-011
	DVD-ROM Drive (SATA)	495387-001
(2)	Hard drives (include bracket)	
	250-GB, 5400-rpm	500013-001
	160-GB, 5400-rpm	500012-001
	120-GB, 5400-rpm	500011-001

Miscellaneous parts

Description	Spare part number
AC adapters	
65-W AC adapter (for use only with computer models with UMA graphics system memory)	417220-001
90-W slim AC adapter (for use only with computer models with discrete graphics system memory) for use in Asia and China.	374791-001
Logo Kit	495408-001
Nylon carrying case	325814-001
USB 1.1 diskette drive	359118-001
Power cords:	
For use in Australia	490371-011
For use in the United States	490371-001
For use in the United Kingdom and Singapore	490371-011
For use in Brazil	490371-201
For use in Japan	490371-291
For use in the People's Republic of China	490371-AA1
For use in Taiwan	490371-AB1

Description	Spare part number
For use in Korea	490371-AD1
Screw Kit	500130-001
<ul style="list-style-type: none"> • Phillips PM3.0×4.0 screw • Phillips PM2.5×12.0 captive screw • Phillips PM2.5×10.0 captive screw • Phillips PM2.5×7.0 captive screw • Phillips PM2.5×7.0 screw • Phillips PM2.5×4.0 screw • Phillips PM2.0×8.0 screw • Phillips PM2.0×6.0 screw • Phillips PM2.0×5.0 captive screw • Phillips PM2.0×4.0 screw • Phillips PM2.0×2.0 broad-head screw • Torx T8M2.5×9.0 screw • Slotted Torx ST8M2.5×7.0 screw • Torx T8M2.5×6.0 screw • Torx T8M2.5×4.0 screw • Torx T8M2.5×3.0 broad-head screw • Torx T8M2.0×4.0 screw 	

Sequential part number listing

Spare part number	Description
374791-001	90-W slimline AC adapter (for use only with computer models with discrete graphics system memory) for use in Asia and China.
398393-002	Bluetooth module for use in North America NOTE: The Bluetooth module spare part kits do not include a Bluetooth module cable. The Bluetooth module cable is included in the Cable Kit, spare part number 457400-001. See Cable Kit on page 20 for more Cable Kit spare part number information.
417220-001	65-W AC adapter (for use only with computer models with UMA graphics system memory)
431312-001	Fan
441082-001	Intel 802.11 a/b/g WLAN module for use in Antigua & Barbuda, Argentina, Aruba, the Bahamas, Barbados, Bermuda, Brunei, Canada, the Cayman Islands, Chile, Colombia, Costa Rica, the Dominican Republic, Ecuador, El Salvador, Guam, Guatemala, Haiti, Honduras, Hong Kong, India, Indonesia, Malaysia, Mexico, Panama, Paraguay, Peru, Saudi Arabia, Taiwan, the United States, Uruguay, Venezuela, and Vietnam
441082-002	Intel 802.11 a/b/g WLAN module for use in Austria, Azerbaijan, Bahrain, Belgium, Brazil, Bulgaria, Croatia, Cyprus, the Czech Republic, Denmark, Egypt, Estonia, Finland, France, Georgia, Germany, Greece, Hungary, Iceland, Ireland, Israel, Italy, Latvia, Lebanon, Liechtenstein, Lithuania, Luxembourg, Malta, Monaco, the Netherlands, Norway, Oman, the Philippines, Poland, Portugal, Qatar, Romania, Russia, Serbia and Montenegro, Singapore, Slovakia, Slovenia, South Africa, Spain, Sri Lanka, Sweden, Switzerland, Turkey, Ukraine, the United Kingdom, and Uzbekistan
441082-003	Intel 802.11 a/b/g WLAN module for use in Australia, New Zealand, Pakistan, the People's Republic of China, and South Korea
441082-292	Intel 802.11 a/b/g WLAN module for use in Japan
441086-001	Intel 802.11 a/b/g/n WLAN module for use in Antigua & Barbuda, Argentina, Aruba, the Bahamas, Barbados, Bermuda, Brunei, Canada, the Cayman Islands, Chile, Colombia, Costa Rica, the Dominican Republic, Ecuador, El Salvador, Guam, Guatemala, Haiti, Honduras, Hong Kong, India, Indonesia, Malaysia, Mexico, Panama, Paraguay, Peru, Saudi Arabia, Taiwan, the United States, Uruguay, Venezuela, and Vietnam
441086-002	Intel 802.11 a/b/g/n WLAN module for use in Austria, Azerbaijan, Bahrain, Belgium, Brazil, Bulgaria, Croatia, Cyprus, the Czech Republic, Denmark, Egypt, Estonia, Finland, France, Georgia, Germany, Greece, Hungary, Iceland, Ireland, Israel, Italy, Latvia, Lebanon, Liechtenstein, Lithuania, Luxembourg, Malta, Monaco, the Netherlands, Norway, Oman, the Philippines, Poland, Portugal, Qatar, Romania, Russia, Serbia and Montenegro, Singapore, Slovakia, Slovenia, South Africa, Spain, Sri Lanka, Sweden, Switzerland, Turkey, Ukraine, the United Kingdom, and Uzbekistan
441086-003	Intel 802.11 a/b/g/n WLAN module for use in Australia, New Zealand, Pakistan, the People's Republic of China, and South Korea
441086-291	Intel 802.11 a/b/g/n WLAN module for use in Japan
449137-001	RTC battery
450066-001	Bluetooth module for use in Japan and Asia Pacific countries and regions NOTE: The Bluetooth module spare part kits do not include a Bluetooth module cable. The Bluetooth module cable is included in the Cable Kit, spare part number 457400-001. See Cable Kit on page 20 for more Cable Kit spare part number information.
451861-001	Intel 802.11 a/b/g WLAN module for use in Antigua & Barbuda, Argentina, Aruba, the Bahamas, Barbados, Bermuda, Brunei, Canada, the Cayman Islands, Chile, Colombia, Costa Rica, the Dominican Republic, Ecuador, El Salvador, Guam, Guatemala, Haiti, Honduras, Hong Kong, India, Indonesia, Malaysia, Mexico, Panama, Paraguay, Peru, Saudi Arabia, Taiwan, the United States, Uruguay, Venezuela, and Vietnam

Spare part number	Description
451861-002	Intel 802.11 a/b/g WLAN module for use in Austria, Azerbaijan, Bahrain, Belgium, Brazil, Bulgaria, Croatia, Cyprus, the Czech Republic, Denmark, Egypt, Estonia, Finland, France, Georgia, Germany, Greece, Hungary, Iceland, Ireland, Israel, Italy, Latvia, Lebanon, Liechtenstein, Lithuania, Luxembourg, Malta, Monaco, the Netherlands, Norway, Oman, the Philippines, Poland, Portugal, Qatar, Romania, Russia, Serbia and Montenegro, Singapore, Slovakia, Slovenia, South Africa, Spain, Sri Lanka, Sweden, Switzerland, Turkey, Ukraine, the United Kingdom, and Uzbekistan
451861-003	Intel 802.11 a/b/g WLAN module for use in Australia, New Zealand, Pakistan, the People's Republic of China, and South Korea
451861-291	Intel 802.11 a/b/g WLAN module for use in Japan
456576-AD1	Intel 802.11 a/b/g/n WLAN module for use in South Korea
456593-001	Speaker
456605-001	Heat sink for use only with computer models equipped with UMA graphics subsystem (includes replacement thermal material)
456606-001	Heat sink for use only with computer models equipped with discrete graphics subsystem (includes replacement thermal material)
456614-001	Plastics Kit (see Plastics Kit on page 19 for more Plastics Kit spare part information)
456618-001	Display inverter
456619-001	Display hinges (includes left and right hinges)
457400-001	Cable Kit (see Cable Kit on page 20 for more Cable Kit spare part information)
459263-001	Broadcom 802.11b/g WLAN module
459263-002	Broadcom 802.11b/g WLAN module for use in Afghanistan, Albania, Algeria, Andorra, Angola, Antigua and Barbuda, Argentina, Armenia, Aruba, Australia, Austria, Azerbaijan, the Bahamas, Bahrain, Bangladesh, Barbados, Belarus, Belgium, Belize, Benin, Bermuda, Bhutan, Bolivia, Bosnia and Herzegovina, Botswana, Brazil, the British Virgin Islands, Brunei, Bulgaria, Burkina Faso, Burundi, Cameroon, Cape Verde, the Central African Republic, Chad, Chile, the People's Republic of China, Colombia, Comoros, the Congo, Costa Rica, Croatia, Cyprus, the Czech Republic, Denmark, Djibouti, Dominica, the Dominican Republic, East Timor, Ecuador, Egypt, El Salvador, Equatorial Guinea, Eritrea, Estonia, Ethiopia, Fiji, Finland, France, French Guiana, Gabon, Gambia, Georgia, Germany, Ghana, Gibraltar, Greece, Grenada, Guadeloupe, Guatemala, Guinea, Guinea-Bissau, Guyana, Haiti, Honduras, Hong Kong, Hungary, Iceland, India, Ireland, Israel, Italy, the Ivory Coast, Jamaica, Jordan, Kazakhstan, Kenya, Kiribati, Kyrgyzstan, Laos, Latvia, Lebanon, Lesotho, Liberia, Liechtenstein, Lithuania, Luxembourg, Macedonia, Madagascar, Malawi, Malaysia, the Maldives, Mali, Malta, the Marshall Islands, Martinique, Mauritania, Mauritius, Mexico, Micronesia, Monaco, Mongolia, Montenegro, Morocco, Mozambique, Namibia, Nauru, Nepal, the Nether Antilles, the Netherlands, New Zealand, Nicaragua, Niger, Nigeria, Norway, Oman, Pakistan, Palau, Panama, Papua New Guinea, Paraguay, Peru, the Philippines, Poland, Portugal, the Republic of Moldova, Romania, Russia, Rwanda, Samoa, San Marino, Sao Tome & Principe, Saudi Arabia, Senegal, Serbia and Montenegro, the Seychelles, Sierra Leone, Singapore, Slovakia, Slovenia, the Solomon Islands, Somalia, South Africa, South Korea, Spain, Sri Lanka, St. Kitts & Nevis, St. Lucia, St. Vincent & Grenada, Suriname, Swaziland, Sweden, Switzerland, Taiwan, Tajikistan, Tanzania, Togo, Tonga, Trinidad and Tobago, Tunisia, Turkey, Turkmenistan, Tuvalu, Uganda, Ukraine, the United Arab Emirates, the United Kingdom, Uruguay, Uzbekistan, Vanuatu, Venezuela, Vietnam, Yemen, Zaire, Zambia, and Zimbabwe
460702-001	Base enclosure for use only with computer models equipped with discrete graphics subsystem (includes rubber feet)
461749-001	Modem module for use in the United States (includes modem module cable)
	NOTE: The modem module spare part kits do not include a modem module cable. The modem module cable is included in the Cable Kit, spare part number 457400-001. See Cable Kit on page 20 for more Cable Kit spare part number information.

Spare part number	Description
461749-011	Modem module or use only in Japan and Asia Pacific countries and regions (includes modem module cable) NOTE: The modem module spare part kits do not include a modem module cable. The modem module cable is included in the Cable Kit, spare part number 457400-001. See Cable Kit on page 20 for more Cable Kit spare part number information.
487330-001	802.11 a/b/g/n WLAN module
487330-002	802.11 a/b/g/n WLAN module for use in Afghanistan, Albania, Algeria, Andorra, Angola, Antigua and Barbuda, Argentina, Armenia, Aruba, Australia, Austria, Azerbaijan, the Bahamas, Bahrain, Bangladesh, Barbados, Belarus, Belgium, Belize, Benin, Bermuda, Bhutan, Bolivia, Bosnia and Herzegovina, Botswana, Brazil, the British Virgin Islands, Brunei, Bulgaria, Burkina Faso, Burundi, Cameroon, Cape Verde, the Central African Republic, Chad, Chile, the People's Republic of China, Colombia, Comoros, the Congo, Costa Rica, Croatia, Cyprus, the Czech Republic, Denmark, Djibouti, Dominica, the Dominican Republic, East Timor, Ecuador, Egypt, El Salvador, Equatorial Guinea, Eritrea, Estonia, Ethiopia, Fiji, Finland, France, French Guiana, Gabon, Gambia, Georgia, Germany, Ghana, Gibraltar, Greece, Grenada, Guadeloupe, Guatemala, Guinea, Guinea-Bissa, Guyana, Haiti, Honduras, Hong Kong, Hungary, Iceland, India, Ireland, Israel, Italy, the Ivory Coast, Jamaica, Jordan, Kazakhstan, Kenya, Kiribati, Kyrgyzstan, Laos, Latvia, Lebanon, Lesotho, Liberia, Liechtenstein, Lithuania, Luxembourg, Macedonia, Madagascar, Malawi, Malaysia, the Maldives, Mali, Malta, the Marshall Islands, Martinique, Mauritania, Mauritius, Mexico, Micronesia, Monaco, Mongolia, Montenegro, Morocco, Mozambique, Namibia, Nauru, Nepal, the Nether Antilles, the Netherlands, New Zealand, Nicaragua, Niger, Nigeria, Norway, Oman, Pakistan, Palau, Panama, Papua New Guinea, Paraguay, Peru, the Philippines, Poland, Portugal, the Republic of Moldova, Romania, Russia, Rwanda, Samoa, San Marino, Sao Tome & Principe, Saudi Arabia, Senegal, Serbia and Montenegro, the Seychelles, Sierra Leone, Singapore, Slovakia, Slovenia, the Solomon Islands, Somalia, South Africa, South Korea, Spain, Sri Lanka, St. Kitts & Nevis, St. Lucia, St. Vincent & Grenada, Suriname, Swaziland, Sweden, Switzerland, Taiwan, Tajikistan, Tanzania, Togo, Tonga, Trinidad and Tobago, Tunisia, Turkey, Turkmenistan, Tuvalu, Uganda, Ukraine, the United Arab Emirates, the United Kingdom, Uruguay, Uzbekistan, Vanuatu, Venezuela, Vietnam, Yemen, Zaire, Zambia, and Zimbabwe
490371-001	Power cord for use in the United States
490371-011	Power cord for use in Australia and New Zealand
490371-031	Power cord for use in the United Kingdom and Singapore
490371-201	Power cord for use in Brazil
490371-291	Power cord for use in Japan
490371-AA1	Power cord for use in the People's Republic of China
490371-AB1	Power cord for use in Taiwan
490371-AD1	Power cord for use in Korea
490371-D01	Power cord for use in Argentina
490371-D611	Power cord for use in India
495386-001	
495387-001	DVD-ROM Drive (SATA)
495395-001	System board for use only with computer models equipped with Intel Celeron M processors and UMA graphics subsystem (includes replacement thermal material and the ExpressCard assembly)
495408-001	Logo Kit
495410-001	System board for use only with computer models equipped with Intel Core2 Duo processors and UMA graphics subsystem (includes replacement thermal material and the ExpressCard assembly)
499999-001	Keyboard for use in the United States

Spare part number	Description
499999-161	Keyboard for use in Latin America
499999-201	Keyboard for use in Brazil
499999-281	Keyboard for use in Thailand
499999-291	Keyboard for use in Japan
499999-AB1	Keyboard for use in Taiwan
499999-AD1	Keyboard for use in South Korea
500000-001	Display enclosure (includes 2 wireless antenna transceivers and cables)
500001-001	Switch cover (includes LED board and cable)
500002-001	Top cover (includes TouchPad board and cable, and TouchPad button board and cable)
500003-001	Base enclosure for use with UMA graphics subsystem (includes rubber feet)
500004-001	14.1-inch, WXGA display assembly (includes 2 WLAN antenna transceivers and cables)
500005-001	Intel Core2 Duo T5270 1.40-GHz processor (2-MB L2 cache, 800-MHz FSB, includes replacement thermal material)
500006-001	Intel Celeron M P530 1.73-GHz processor (1-MB L2 cache, 533-MHz FSB, includes replacement thermal material)
500007-001	Intel Core2 Duo T5470 1.60-GHz processor (2-MB L2 cache, 800-MHz FSB, includes replacement thermal material)
500008-001	1-GB memory module (PC2-5300, 667-MHz, DDR2)
500009-001	2-GB memory module (PC2-5300, 667-MHz, DDR2)
500010-001	512-MB memory module (PC2-5300, 667-MHz, DDR2)
500011-001	120-GB, 5400-rpm hard drive (includes bracket)
500012-001	160-GB, 5400-rpm hard drive (includes bracket)
500013-001	250-GB, 5400-rpm hard drive (includes bracket)
500014-001	6-cell, 47-Wh Li-ion battery
500016-001	DVD-ROM Drive (includes bezel and bracket) (PATA)
500017-001	DVD/CD-RW Combo Drive (includes bezel and bracket) (PATA)
500018-001	DVD±RW and CD-RW Super Multi Double-Layer Combo Drive with LightScribe (includes bezel and bracket) (PATA)
500130-001	Screw Kit
500132-001	Rubber Kit (contains 4 computer feet and 8 display bezel screw covers)
506010-001	DVD±RW and CD-RW Super Multi Double-Layer Combo Drive with LightScribe (includes bezel and bracket) (SATA)
506011-001	DVD/CD-RW Combo Drive (includes bezel and bracket) (SATA)
506448-001	Intel Celeron M T1400 1.73-GHz (1-MB L2 cache, 533-MHz FSB)
508756-001	Intel Core2 Duo T5670 2.0-GHz processor (2-MB L2 cache, 800-MHz FSB, includes replacement thermal material)

Spare part number	Description
508757-001	Intel Celeron M P550 2.0-GHz (1-MB L2 cache, 533-MHz FSB)
508815-001	LCD cable kit
509115-001	System board for use with computer models with discrete memory subsystem
509116-001	System board for use with computer models with discrete memory subsystem
511030-001	Logo kit for computer models with discrete memory subsystem

4 Removal and replacement procedures

Preliminary replacement requirements


Tools required

You will need the following tools to complete the removal and replacement procedures:

- Flat-bladed screwdriver
- Magnetic screwdriver
- Phillips P0 and P1 screwdrivers
- Torx T8 screwdriver

Service considerations

The following sections include some of the considerations that you must keep in mind during disassembly and assembly procedures.

 **NOTE:** As you remove each subassembly from the computer, place the subassembly (and all accompanying screws) away from the work area to prevent damage.

Plastic parts

Using excessive force during disassembly and reassembly can damage plastic parts. Use care when handling the plastic parts. Apply pressure only at the points designated in the maintenance instructions.

Cables and connectors

-
- △ **CAUTION:** When servicing the computer, be sure that cables are placed in their proper locations during the reassembly process. Improper cable placement can damage the computer.
-

Cables must be handled with extreme care to avoid damage. Apply only the tension required to unseat or seat the cables during removal and insertion. Handle cables by the connector whenever possible. In all cases, avoid bending, twisting, or tearing cables. Be sure that cables are routed in such a way that they cannot be caught or snagged by parts being removed or replaced. Handle flex cables with extreme care; these cables tear easily.

Drive handling

-
- △ **CAUTION:** Drives are fragile components that must be handled with care. To prevent damage to the computer, damage to a drive, or loss of information, observe these precautions:
-

Before removing or inserting a hard drive, shut down the computer. If you are unsure whether the computer is off or in Hibernation, turn the computer on, and then shut it down through the operating system.

Before handling a drive, be sure that you are discharged of static electricity. While handling a drive, avoid touching the connector.

Before removing a diskette drive or optical drive, be sure that a diskette or disc is not in the drive and be sure that the optical drive tray is closed.

Handle drives on surfaces covered with at least one inch of shock-proof foam.

Avoid dropping drives from any height onto any surface.

After removing a hard drive, an optical drive, or a diskette drive, place it in a static-proof bag.

Avoid exposing a hard drive to products that have magnetic fields, such as monitors or speakers.

Avoid exposing a drive to temperature extremes or liquids.

If a drive must be mailed, place the drive in a bubble pack mailer or other suitable form of protective packaging and label the package "FRAGILE."

Grounding guidelines

Electrostatic discharge damage

Electronic components are sensitive to electrostatic discharge (ESD). Circuitry design and structure determine the degree of sensitivity. Networks built into many integrated circuits provide some protection, but in many cases, ESD contains enough power to alter device parameters or melt silicon junctions.

A discharge of static electricity from a finger or other conductor can destroy static-sensitive devices or microcircuitry. Even if the spark is neither felt nor heard, damage may have occurred.

An electronic device exposed to ESD may not be affected at all and can work perfectly throughout a normal cycle. Or the device may function normally for a while, then degrade in the internal layers, reducing its life expectancy.

△ **CAUTION:** To prevent damage to the computer when you are removing or installing internal components, observe these precautions:

Keep components in their electrostatic-safe containers until you are ready to install them.

Use nonmagnetic tools.

Before touching an electronic component, discharge static electricity by using the guidelines described in this section.

Avoid touching pins, leads, and circuitry. Handle electronic components as little as possible.

If you remove a component, place it in an electrostatic-safe container.

The following table shows how humidity affects the electrostatic voltage levels generated by different activities.

△ **CAUTION:** A product can be degraded by as little as 700 V.

Typical electrostatic voltage levels			
Event	Relative humidity		
	10%	40%	55%
Walking across carpet	35,000 V	15,000 V	7,500 V
Walking across vinyl floor	12,000 V	5,000 V	3,000 V
Motions of bench worker	6,000 V	800 V	400 V
Removing DIPS from plastic tube	2,000 V	700 V	400 V
Removing DIPS from vinyl tray	11,500 V	4,000 V	2,000 V
Removing DIPS from Styrofoam	14,500 V	5,000 V	3,500 V
Removing bubble pack from PCB	26,500 V	20,000 V	7,000 V
Packing PCBs in foam-lined box	21,000 V	11,000 V	5,000 V

Packaging and transporting guidelines

Follow these grounding guidelines when packaging and transporting equipment:

- To avoid hand contact, transport products in static-safe tubes, bags, or boxes.
- Protect ESD-sensitive parts and assemblies with conductive or approved containers or packaging.
- Keep ESD-sensitive parts in their containers until the parts arrive at static-free workstations.
- Place items on a grounded surface before removing items from their containers.
- Always be properly grounded when touching a component or assembly.
- Store reusable ESD-sensitive parts from assemblies in protective packaging or nonconductive foam.
- Use transporters and conveyors made of antistatic belts and roller bushings. Be sure that mechanized equipment used for moving materials is wired to ground and that proper materials are selected to avoid static charging. When grounding is not possible, use an ionizer to dissipate electric charges.

Workstation guidelines

Follow these grounding workstation guidelines:

- Cover the workstation with approved static-shielding material.
- Use a wrist strap connected to a properly grounded work surface and use properly grounded tools and equipment.
- Use conductive field service tools, such as cutters, screwdrivers, and vacuums.
- When fixtures must directly contact dissipative surfaces, use fixtures made only of static-safe materials.
- Keep the work area free of nonconductive materials, such as ordinary plastic assembly aids and Styrofoam.
- Handle ESD-sensitive components, parts, and assemblies by the case or PCM laminate. Handle these items only at static-free workstations.
- Avoid contact with pins, leads, or circuitry.
- Turn off power and input signals before inserting or removing connectors or test equipment.

Equipment guidelines

Grounding equipment must include either a wrist strap or a foot strap at a grounded workstation.

- When seated, wear a wrist strap connected to a grounded system. Wrist straps are flexible straps with a minimum of one megohm $\pm 10\%$ resistance in the ground cords. To provide proper ground, wear a strap snugly against the skin at all times. On grounded mats with banana-plug connectors, use alligator clips to connect a wrist strap.
- When standing, use foot straps and a grounded floor mat. Foot straps (heel, toe, or boot straps) can be used at standing workstations and are compatible with most types of shoes or boots. On conductive floors or dissipative floor mats, use foot straps on both feet with a minimum of one megohm resistance between the operator and ground. To be effective, the conductive strips must be worn in contact with the skin.

The following grounding equipment is recommended to prevent electrostatic damage:

- Antistatic tape
- Antistatic smocks, aprons, and sleeve protectors
- Conductive bins and other assembly or soldering aids
- Nonconductive foam
- Conductive tabletop workstations with ground cords of one megohm resistance
- Static-dissipative tables or floor mats with hard ties to the ground
- Field service kits
- Static awareness labels
- Material-handling packages
- Nonconductive plastic bags, tubes, or boxes
- Metal tote boxes
- Electrostatic voltage levels and protective materials

The following table lists the shielding protection provided by antistatic bags and floor mats.

Material	Use	Voltage protection level
Antistatic plastic	Bags	1,500 V
Carbon-loaded plastic	Floor mats	7,500 V
Metallized laminate	Floor mats	5,000 V

Unknown user password

If the computer you are servicing has an unknown user password, follow these steps to clear the password:

 **NOTE:** These steps also clear CMOS.

1. Shut down the computer. If you are unsure whether the computer is off or in Hibernation, turn the computer on, and then shut it down through the operating system.
2. Disconnect all external devices connected to the computer.
3. Disconnect the power from the computer by first unplugging the power cord from the AC outlet and then unplugging the AC adapter from the computer.
4. Remove the battery (see [Battery on page 37](#)).
5. Remove the real-time clock (RTC) battery (see [RTC battery on page 78](#)).
6. Wait approximately 5 minutes.
7. Replace the RTC battery and reassemble the computer.
8. Connect AC power to the computer. Do not reinsert any batteries at this time.
9. Turn on the computer.

All passwords and all CMOS settings have been cleared.

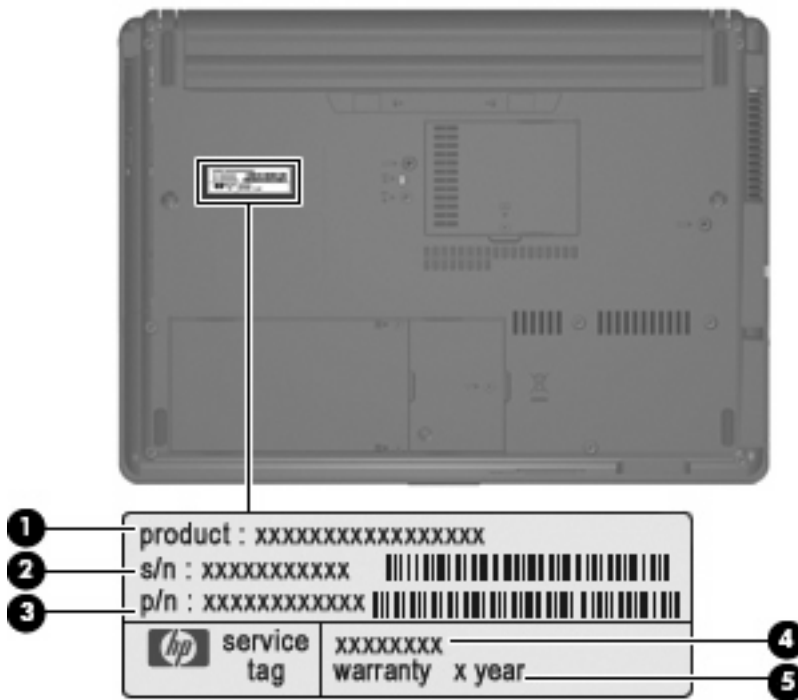
Component replacement procedures

This chapter provides removal and replacement procedures.

There are as many as 76 screws, in 16 different sizes, that must be removed, replaced, or loosened when servicing the computer. Make special note of each screw size and location during removal and replacement.

Serial number

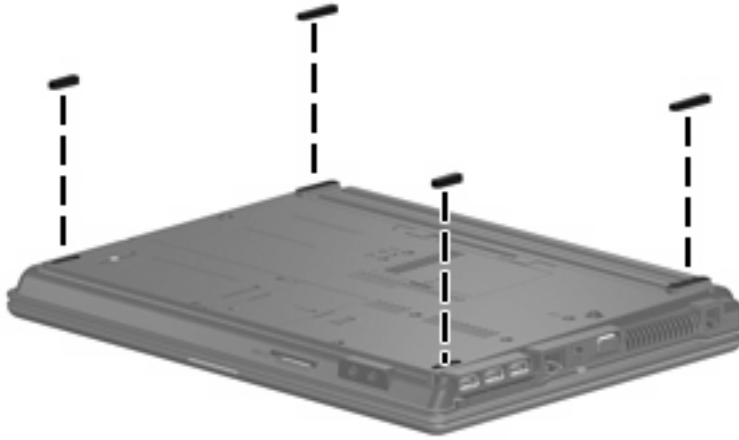
Report the computer serial number to HP when requesting information or ordering spare parts. The serial number is located on the bottom of the computer.



- Product Name **(1)**. This is the product name affixed to the front of the computer.
- Serial Number (s/n) **(2)**. This is an alphanumeric identifier that is unique to each product.
- Part Number/Product Number (p/n) **(3)**. This number provides specific information about the product's hardware components. The part number helps a service technician to determine what components and parts are needed.
- Model Description **(4)**. This is the number you use to locate documents, drivers, and support for your notebook.
- Warranty Period **(5)**. This number describes the duration (in years) of the warranty period for this computer.

Computer feet

The computer feet are adhesive-backed rubber pads. The feet are included in the Rubber Kit, spare part number 500132-001. There are 4 rubber feet that attach to the base enclosure in the locations illustrated below.



Battery

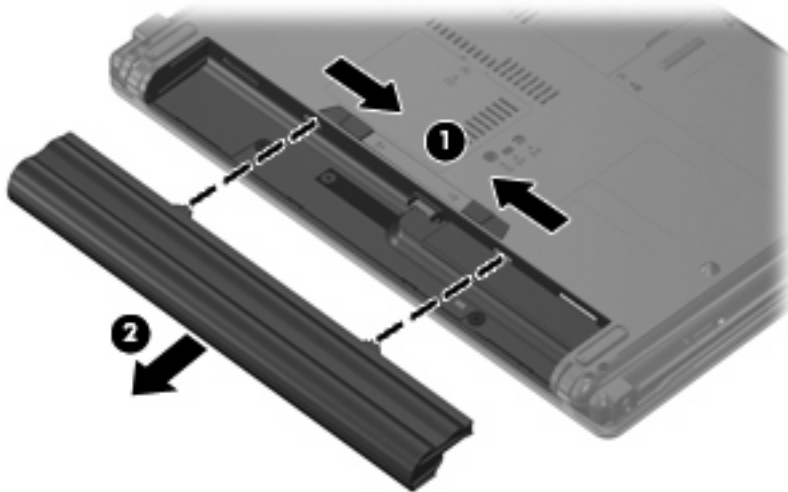
Description	Spare part number
6-cell, 47-Wh Li-ion battery	456623-001

Before disassembling the computer, follow these steps:

1. Shut down the computer. If you are unsure whether the computer is off or in Hibernation, turn the computer on, and then shut it down through the operating system.
2. Disconnect all external devices connected to the computer.
3. Disconnect the power from the computer by first unplugging the power cord from the AC outlet and then unplugging the AC adapter from the computer.

Remove the battery:

1. Turn the computer upside down on a flat surface, with the battery bay toward you.
2. Slide the battery release latches (1) to release the battery.
3. Remove the battery (2) from the computer.



Insert the battery into the battery bay until it is seated. The battery release latches automatically lock the battery into place.

Hard drive

 **NOTE:** All hard drive spare part kits include a hard drive bracket.

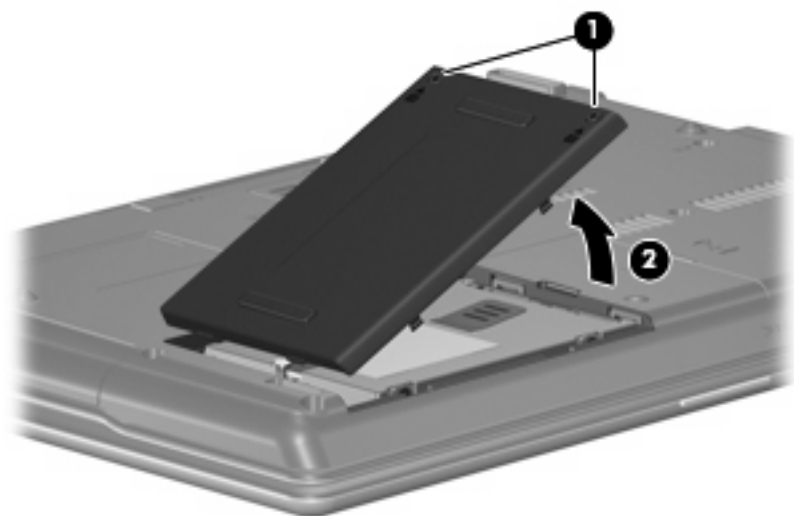
Description	Spare part number
250-GB, 5400-rpm hard drive	500012-001
160-GB, 5400-rpm hard drive	500011-001
120-GB, 5400-rpm hard drive	500010-001

Before disassembling the computer, follow these steps:

1. Shut down the computer. If you are unsure whether the computer is off or in Hibernation, turn the computer on, and then shut it down through the operating system.
2. Disconnect all external devices connected to the computer.
3. Disconnect the power from the computer by first unplugging the power cord from the AC outlet and then unplugging the AC adapter from the computer.
4. Remove the battery (see [Battery on page 37](#)).

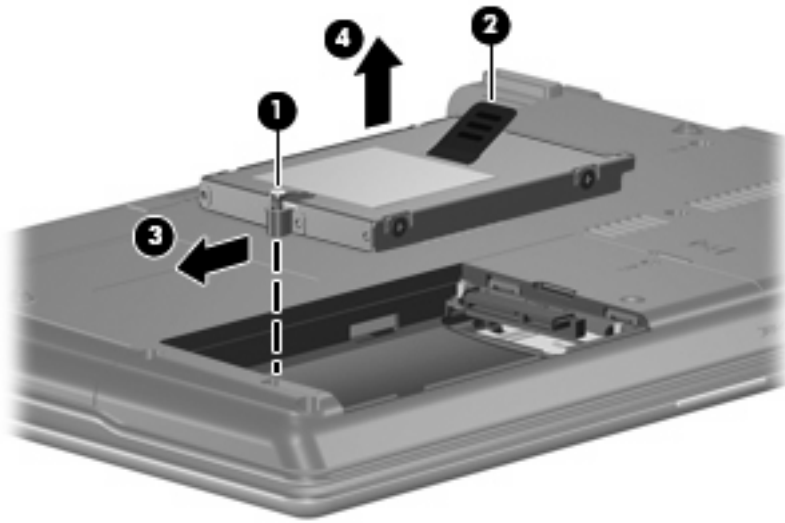
Remove the hard drive:

1. Position the computer with the front toward you.
2. Loosen the two Phillips PM2.0×5.0 captive screws (1) that secure the hard drive bay cover to the computer.
3. Lift the right side of the hard drive bay cover (2), swing it to left, and remove the cover. The hard drive bay cover is included in the Plastics Kit, spare part number 456614-001.

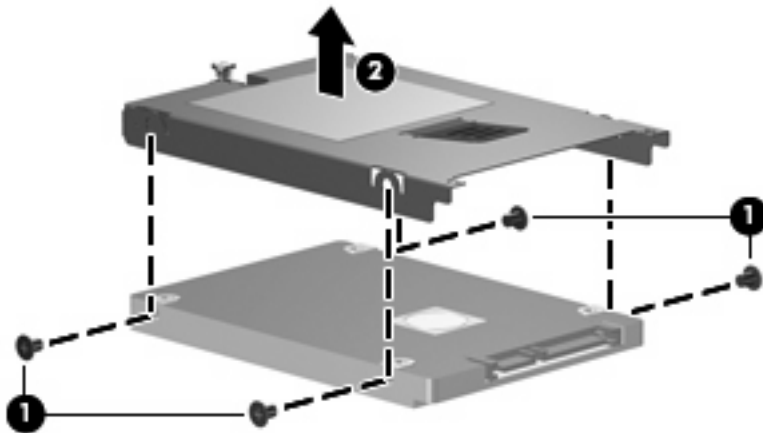


4. Loosen the Phillips PM2.5×12.0 captive screw (1) that secures the hard drive to the computer.
5. Grasp the Mylar tab (2) on the hard drive and slide the hard drive (3) to the left to disconnect it from the system board.

6. Remove the hard drive (4) from the hard drive bay.



7. If it is necessary to replace the hard drive bracket, remove the two Phillips PM3.0×4.0 hard drive bracket screws (1) from each side of the hard drive.
8. Lift the bracket (2) straight up to remove it from the hard drive.



Reverse this procedure to reassemble and install the hard drive.

WLAN module

Description	spare part numbers
Intel 802.11 a/b/g/n WLAN modules:	
<ul style="list-style-type: none"> For use in Antigua and Barbuda, Argentina, Aruba, the Bahamas, Barbados, Bermuda, Brunei, Canada, the Cayman Islands, Chile, Colombia, Costa Rica, the Dominican Republic, Ecuador, El Salvador, Guam, Guatemala, Haiti, Honduras, Hong Kong, India, Indonesia, Malaysia, Mexico, Panama, Paraguay, Peru, Saudi Arabia, Taiwan, Uruguay, the United States, Venezuela, and Vietnam. 	441086-001
<ul style="list-style-type: none"> For use in Austria, Azerbaijan, Bahrain, Belgium, Brazil, Bulgaria, Croatia, Cyprus, the Czech Republic, Denmark, Egypt, Estonia, Finland, France, Georgia, Germany, Greece, Hungary, Iceland, Ireland, Israel, Italy, Latvia, Lebanon, Liechtenstein, Lithuania, Luxembourg, Malta, Monaco, the Netherlands, Norway, Oman, the Philippines, Poland, Portugal, Qatar, Romania, Russia, Serbia and Montenegro, Singapore, Slovakia, Slovenia, South Africa, Spain, Sri Lanka, Sweden, Switzerland, Turkey, Ukraine, the United Kingdom, and Uzbekistan. 	441086-002
<ul style="list-style-type: none"> For use in Australia, New Zealand, Pakistan, the People's Republic of China, and South Korea. 	441086-003
<ul style="list-style-type: none"> For use in Japan. 	441086-291
<ul style="list-style-type: none"> For use in South Korea: 	456576-AD1
Broadcom 802.11 a/b/g/n/ WLAN module	
<ul style="list-style-type: none"> For use in the United States. 	487330-001
<ul style="list-style-type: none"> 802.11 a/b/g/n WLAN module for use in Afghanistan, Albania, Algeria, Andorra, Angola, Antigua and Barbuda, Argentina, Armenia, Aruba, Australia, Austria, Azerbaijan, the Bahamas, Bahrain, Bangladesh, Barbados, Belarus, Belgium, Belize, Benin, Bermuda, Bhutan, Bolivia, Bosnia and Herzegovina, Botswana, Brazil, the British Virgin Islands, Brunei, Bulgaria, Burkina Faso, Burundi, Cameroon, Cape Verde, the Central African Republic, Chad, Chile, the People's Republic of China, Colombia, Comoros, the Congo, Costa Rica, Croatia, Cyprus, the Czech Republic, Denmark, Djibouti, Dominica, the Dominican Republic, East Timor, Ecuador, Egypt, El Salvador, Equatorial Guinea, Eritrea, Estonia, Ethiopia, Fiji, Finland, France, French Guiana, Gabon, Gambia, Georgia, Germany, Ghana, Gibraltar, Greece, Grenada, Guadeloupe, Guatemala, Guinea, Guinea-Bissa, Guyana, Haiti, Honduras, Hong Kong, Hungary, Iceland, India, Ireland, Israel, Italy, the Ivory Coast, Jamaica, Jordan, Kazakhstan, Kenya, Kiribati, Kyrgyzstan, Laos, Latvia, Lebanon, Lesotho, Liberia, Liechtenstein, Lithuania, Luxembourg, Macedonia, Madagascar, Malawi, Malaysia, the Maldives, Mali, Malta, the Marshall Islands, Martinique, Mauritania, Mauritius, Mexico, Micronesia, Monaco, Mongolia, Montenegro, Morocco, Mozambique, Namibia, Nauru, Nepal, the Nether Antilles, the Netherlands, New Zealand, Nicaragua, Niger, Nigeria, Norway, Oman, Pakistan, Palau, Panama, Papua New Guinea, Paraguay, Peru, the Philippines, Poland, Portugal, the Republic of Moldova, Romania, Russia, Rwanda, Samoa, San Marino, Sao Tome & Principe, Saudi Arabia, Senegal, Serbia and Montenegro, the Seychelles, Sierra Leone, Singapore, Slovakia, Slovenia, the Solomon Islands, Somalia, South Africa, South Korea, Spain, Sri Lanka, St. Kitts & Nevis, St. Lucia, St. Vincent & Grenada, Suriname, Swaziland, Sweden, Switzerland, Taiwan, Tajikistan, Tanzania, Togo, Tonga, Trinidad and Tobago, Tunisia, Turkey, Turkmenistan, Tuvalu, Uganda, Ukraine, the United Arab Emirates, the United Kingdom, Uruguay, Uzbekistan, Vanuatu, Venezuela, Vietnam, Yemen, Zaire, Zambia, and Zimbabwe. 	487330-002
Intel 802.11 a/b/g WLAN module	
<ul style="list-style-type: none"> For use in Antigua & Barbuda, Argentina, Aruba, the Bahamas, Barbados, Bermuda, Brunei, Canada, the Cayman Islands, Chile, Colombia, Costa Rica, the Dominican Republic, Ecuador, El Salvador, Guam, Guatemala, Haiti, Honduras, Hong Kong, India, Indonesia, Malaysia, Mexico, Panama, Paraguay, Peru, Saudi Arabia, Taiwan, the United States, Uruguay, Venezuela, and Vietnam. 	441082-001

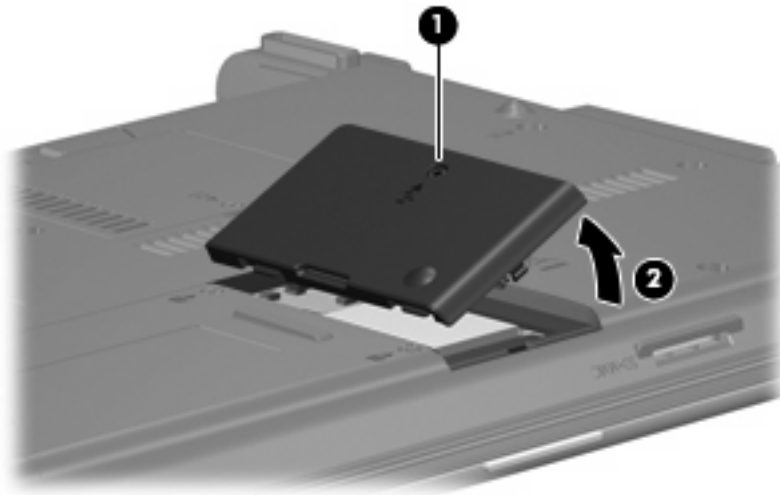
Description	spare part numbers
<ul style="list-style-type: none"> For use in Austria, Azerbaijan, Bahrain, Belgium, Brazil, Bulgaria, Croatia, Cyprus, the Czech Republic, Denmark, Egypt, Estonia, Finland, France, Georgia, Germany, Greece, Hungary, Iceland, Ireland, Israel, Italy, Latvia, Lebanon, Liechtenstein, Lithuania, Luxembourg, Malta, Monaco, the Netherlands, Norway, Oman, the Philippines, Poland, Portugal, Qatar, Romania, Russia, Serbia and Montenegro, Singapore, Slovakia, Slovenia, South Africa, Spain, Sri Lanka, Sweden, Switzerland, Turkey, Ukraine, the United Kingdom, and Uzbekistan. 	441082-002
<ul style="list-style-type: none"> For use in Australia, New Zealand, Pakistan, the People's Republic of China, and South Korea. 	441082-003
<ul style="list-style-type: none"> For use in Japan. 	441082-292
Intel 802.11 b/g WLAN modules:	
<ul style="list-style-type: none"> For use in Antigua & Barbuda, Argentina, Aruba, the Bahamas, Barbados, Bermuda, Brunei, Canada, the Cayman Islands, Chile, Colombia, Costa Rica, the Dominican Republic, Ecuador, El Salvador, Guam, Guatemala, Haiti, Honduras, Hong Kong, India, Indonesia, Malaysia, Mexico, Panama, Paraguay, Peru, Saudi Arabia, Taiwan, the United States, Uruguay, Venezuela, and Vietnam 	451861-001
<ul style="list-style-type: none"> For use in Austria, Azerbaijan, Bahrain, Belgium, Brazil, Bulgaria, Croatia, Cyprus, the Czech Republic, Denmark, Egypt, Estonia, Finland, France, Georgia, Germany, Greece, Hungary, Iceland, Ireland, Israel, Italy, Latvia, Lebanon, Liechtenstein, Lithuania, Luxembourg, Malta, Monaco, the Netherlands, Norway, Oman, the Philippines, Poland, Portugal, Qatar, Romania, Russia, Serbia and Montenegro, Singapore, Slovakia, Slovenia, South Africa, Spain, Sri Lanka, Sweden, Switzerland, Turkey, Ukraine, the United Kingdom, and Uzbekistan 	451861-002
<ul style="list-style-type: none"> For use in Australia, New Zealand, Pakistan, the People's Republic of China, and South Korea 	451861-003
<ul style="list-style-type: none"> For use in Japan 	451861-291
Broadcom 802.11 b/g WLAN modules:	
<ul style="list-style-type: none"> For use in the United States. 	459263-001
<ul style="list-style-type: none"> For use in Afghanistan, Albania, Algeria, Andorra, Angola, Antigua & Barbuda, Argentina, Armenia, Aruba, Australia, Austria, Azerbaijan, the Bahamas, Bahrain, Bangladesh, Barbados, Belarus, Belgium, Belize, Benin, Bermuda, Bhutan, Bolivia, Bosnia & Herzegovina, Botswana, Brazil, the British Virgin Islands, Brunei, Bulgaria, Burkina Faso, Burundi, Cambodia, Cameroon, Cape Verde, the Central African Republic, Chad, Chile, Colombia, Comoros, the Congo, Costa Rica, Croatia, Cyprus, the Czech Republic, Denmark, Djibouti, Dominica, the Dominican Republic, East Timor, Ecuador, Egypt, El Salvador, Equatorial Guinea, Eritrea, Estonia, Ethiopia, Fiji, Finland, France, French Guiana, Gabon, Gambia, Georgia, Germany, Ghana, Gibraltar, Greece, Grenada, Guadeloupe, Guatemala, Guinea, Guinea-Bissa, Guyana, Haiti, Honduras, Hong Kong, Hungary, Iceland, India, Indonesia, Ireland, Israel, Italy, the Ivory Coast, Jamaica, Jordan, Kazakhstan, Kenya, Kiribati, Kuwait, Kyrgyzstan, Laos, Latvia, Lebanon, Lesotho, Liberia, Liechtenstein, Lithuania, Luxembourg, Macedonia, Madagascar, Malawi, Malaysia, the Maldives, Mali, Malta, the Marshall Islands, Martinique, Mauritania, Mauritius, Mexico, Micronesia, Monaco, Mongolia, Montenegro, Morocco, Mozambique, Namibia, Nauru, Nepal, the Nether Antilles, the Netherlands, New Zealand, Nicaragua, Niger, Nigeria, Norway, Oman, Palau, Panama, Papua New Guinea, Paraguay, the People's Republic of China, Peru, the Philippines, Poland, Portugal, Qatar, the Republic of Moldova, Romania, Russia, Rwanda, Samoa, San Marino, Sao Tome & Principe, Saudi Arabia, Senegal, Serbia and Montenegro, the Seychelles, Sierra Leone, Singapore, Slovakia, Slovenia, the Solomon Islands, Somalia, South Africa, South Korea, Spain, Sri Lanka, St. Kitts & Nevis, St. Lucia, St. Vincent & Grenada, Suriname, Swaziland, Sweden, Switzerland, Taiwan, Tajikistan, Tanzania, Thailand, Togo, Tonga, Trinidad & Tobago, Tunisia, Turkey, Turkmenistan, Tuvalu, Uganda, Ukraine, the United Arab Emirates, the United Kingdom, Uruguay, Uzbekistan, Vanuatu, Venezuela, Vietnam, Yemen, Zaire, Zambia, and Zimbabwe. 	459263-002

Before removing the WLAN module, follow these steps:


1. Shut down the computer. If you are unsure whether the computer is off or in Hibernation, turn the computer on, and then shut it down through the operating system.
2. Disconnect all external devices connected to the computer.
3. Disconnect the power from the computer by first unplugging the power cord from the AC outlet and then unplugging the AC adapter from the computer.
4. Remove the battery (see [Battery on page 37](#)).

Remove the WLAN module:

1. Position the computer with the front toward you.
2. Loosen the Phillips PM2.0×5.0 captive screw (1) that secures the WLAN module compartment cover to the computer.
3. Lift the right side of the WLAN module compartment cover (2), swing it to left, and remove the cover. The WLAN module compartment cover is included in the Plastics Kit, spare part number 456614-001.




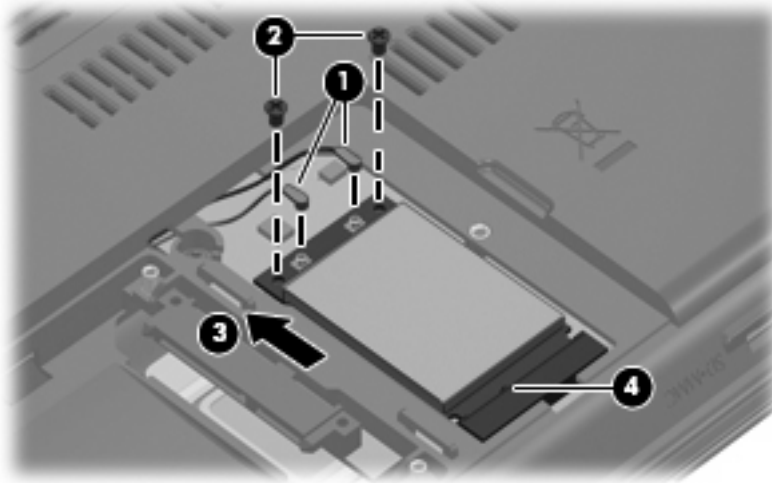
4. Disconnect the WLAN antenna cables (1) from the terminals on the WLAN module.

 **NOTE:** The black WLAN antenna cable is connected to the WLAN module “Main” terminal. The white WLAN antenna cable is connected to the WLAN module “Aux” terminal.

5. Remove the two Phillips PM2.5×4.0 screws (2) that secure the WLAN module to the computer. (The edge of the module opposite the slot rises away from the computer.)

6. Remove the WLAN module (3) by pulling the module away from the slot at an angle.

 **NOTE:** WLAN modules are designed with a notch (4) to prevent incorrect insertion.



Reverse this procedure to install the WLAN module.

Memory module

Description	spare part numbers
2-GB (PC2-5300, 667-MHz, DDR2)	500009-001
1-GB (PC2-5300, 667-MHz, DDR2)	500008-001
512-MB (PC2-5300, 667-MHz, DDR2)	500010-001

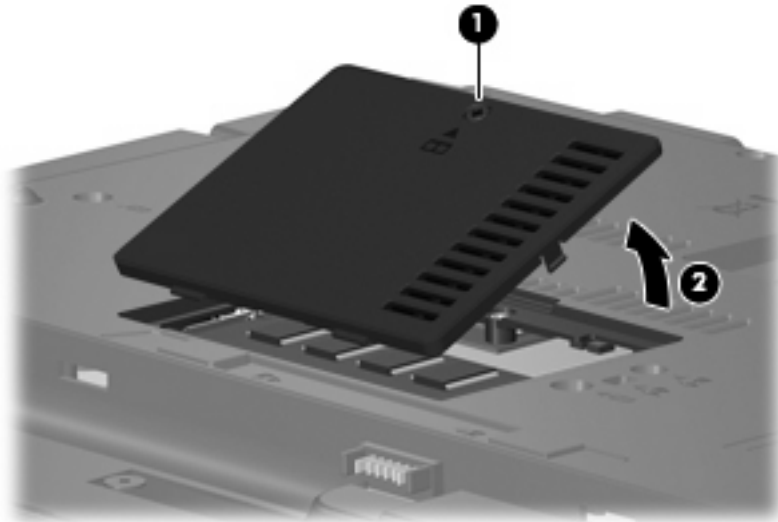
Before removing the memory module, follow these steps:

1. Shut down the computer. If you are unsure whether the computer is off or in Hibernation, turn the computer on, and then shut it down through the operating system.
2. Disconnect all external devices connected to the computer.
3. Disconnect the power from the computer by first unplugging the power cord from the AC outlet and then unplugging the AC adapter from the computer.
4. Remove the battery (see [Battery on page 37](#)).


Remove the memory module:

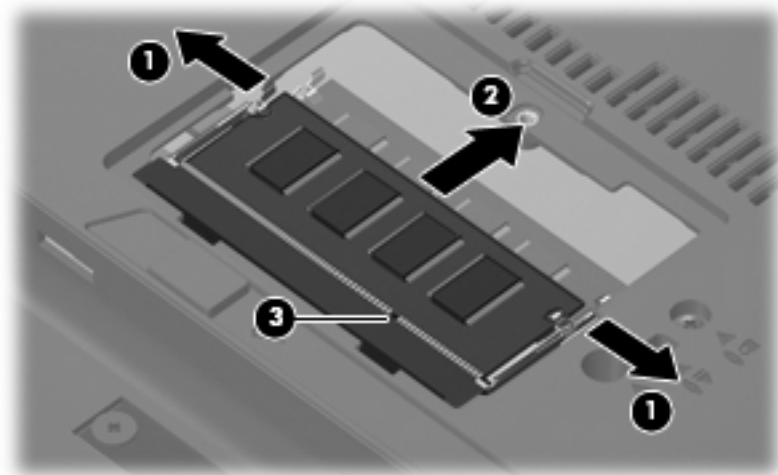
1. Loosen the Phillips PM2.0×5.0 captive screw (1) that secures the memory module compartment cover to the computer.

2. Lift the front edge of the cover (2), swing it up and back, and remove the cover. The memory module compartment cover is included in the Plastics Kit, spare part number 456614-001.




3. Spread the retaining tabs (1) on each side of the memory module slot to release the memory module. (The edge of the module opposite the slot rises away from the computer.)
4. Remove the memory module (2) by pulling the module away from the slot at an angle.

 **NOTE:** Memory modules are designed with a notch (3) to prevent incorrect insertion into the memory module slot.



Reverse this procedure to install a memory module.

Optical drive

 **NOTE:** All optical drive spare part kits include an optical drive bezel.

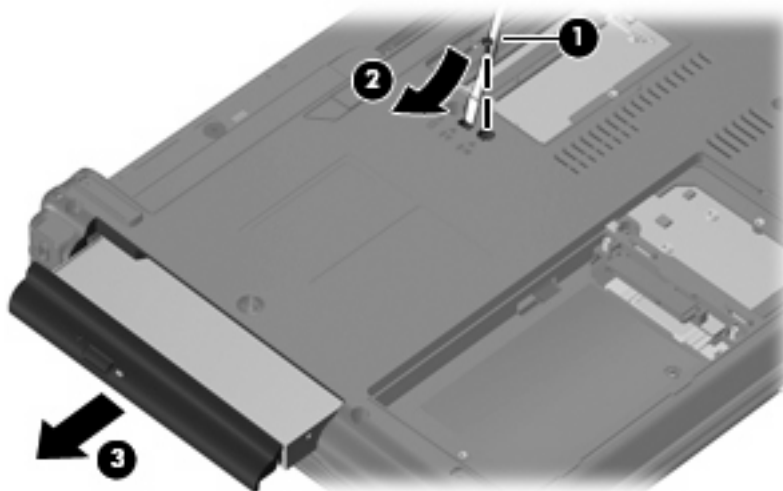
Description	spare part numbers
DVD±RW and CD-RW SuperMulti Double-Layer Combo Drive with LightScribe (PATA)	500018-001
DVD/CD-RW Combo Drive (PATA)	500017-001
DVD-ROM Drive (PATA)	500016-001
DVD±RW and CD-RW SuperMulti Double-Layer Combo Drive with LightScribe (SATA)	506010-001
DVD/CD-RW Combo Drive (SATA)	506011-001
DVD-ROM Drive (SATA)	495387-001

Before removing the optical drive, follow these steps:

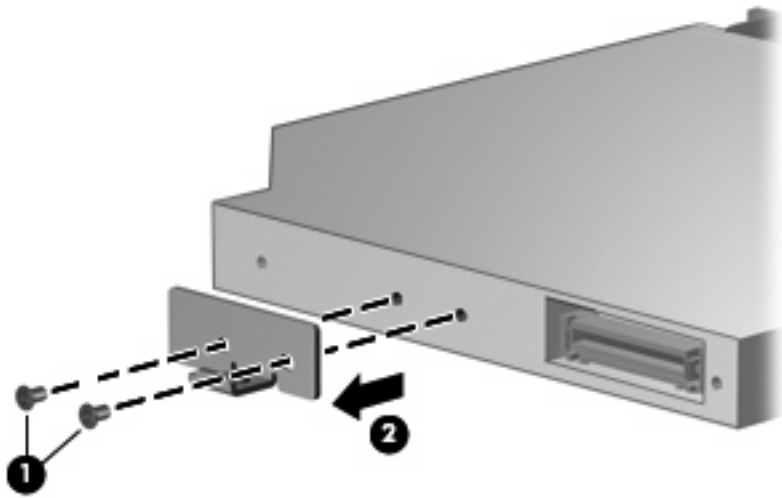
1. Shut down the computer. If you are unsure whether the computer is off or in Hibernation, turn the computer on, and then shut it down through the operating system.
2. Disconnect all external devices connected to the computer.
3. Disconnect the power from the computer by first unplugging the power cord from the AC outlet and then unplugging the AC adapter from the computer.
4. Remove the battery (see [Battery on page 37](#)).

Remove the optical drive:

1. Position the computer with the right side toward you.
2. Remove the slotted Torx ST8M2.5×7.0 screw (1) that secures the optical drive to the computer.
3. Insert a flat-bladed screwdriver or similar tool into the optical drive tab access (2) and press the tab to the left to release the optical drive from the computer.
4. Remove the optical drive (3) from the computer.



5. If it is necessary to replace the optical drive bracket, position the optical drive with the rear toward you.
6. Remove the two Phillips PM2.0×4.0 screws (1) that secure the optical drive bracket to the optical drive.
7. Remove the optical drive bracket (2).



Reverse this procedure to reassemble and install an optical drive.

Switch cover and keyboard

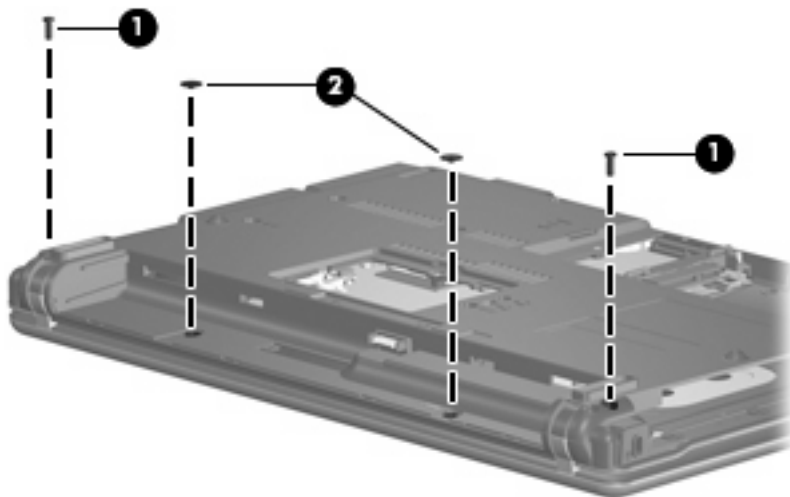
Description	spare part numbers		
Switch cover (includes button board and cable)	500001-001		
Keyboards for use in the following countries or regions:			
Brazil	499999-201	Taiwan	499999-AB1
Japan	499999-291	Thailand	499999-281
Korea	499999-AD1	The United States	499999-001
Latin America	499999-161		

Before removing the switch cover and keyboard, follow these steps:

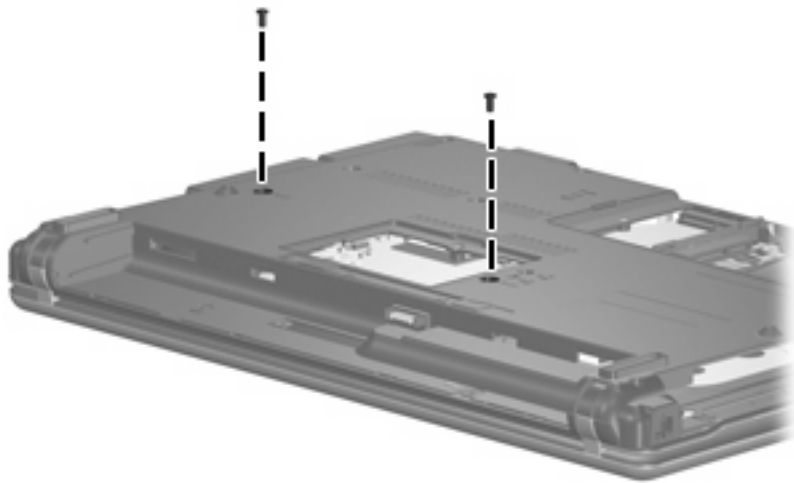
1. Shut down the computer. If you are unsure whether the computer is off or in Hibernation, turn the computer on, and then shut it down through the operating system.
2. Disconnect all external devices connected to the computer.
3. Disconnect the power from the computer by first unplugging the power cord from the AC outlet and then unplugging the AC adapter from the computer.
4. Remove the battery (see [Battery on page 37](#)).

Remove the switch cover and keyboard:

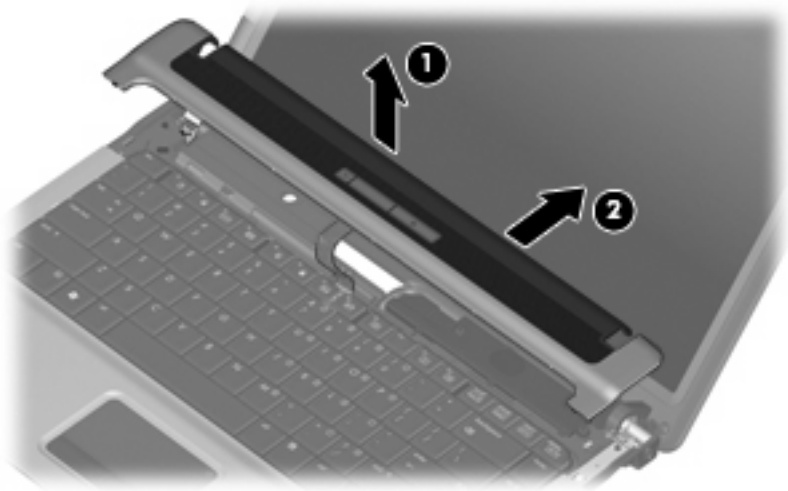
1. Remove the following screws:
 - (1) Two slotted Torx ST8M2.5×7.0 screws
 - (2) Two Torx T8M2.5×3.0 broad-head screws



2. Remove the two slotted Torx ST8M2.5×7.0 screws that secure the keyboard to the computer.



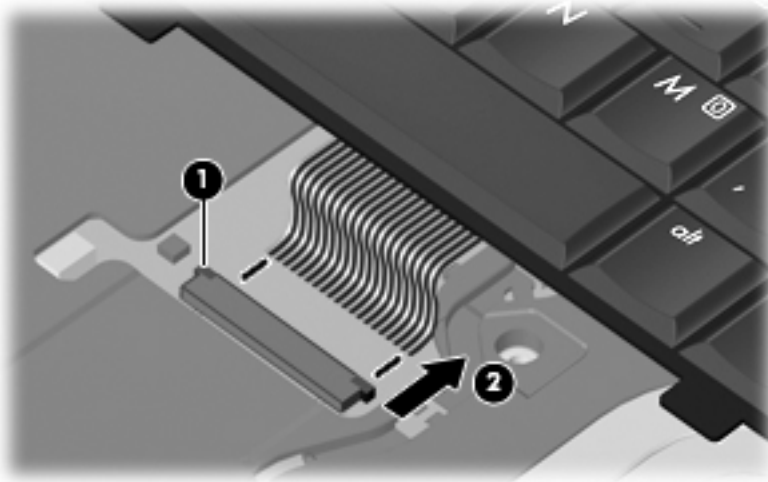
3. Turn the computer display-side up, with the front toward you.
4. Open the computer as far as possible.
5. Lift the switch cover (1) straight up until it disengages from the computer, and slide it back (2) until it rests on the display assembly.



6. Lift the rear edge of the keyboard (1) until it rests at an angle, and slide it back (2) until it rests on the display assembly and switch cover.

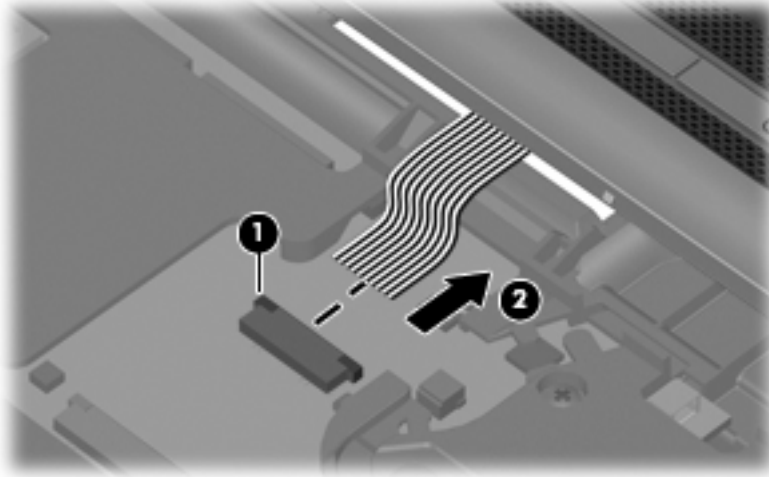


7. Release the zero insertion force (ZIF) connector (1) to which the keyboard cable is attached, and disconnect the keyboard cable (2) from the system board.



8. Remove the keyboard.

9. Release the ZIF connector (1) to which the button board cable is attached, and disconnect the button board cable (2) from the system board.



10. Remove the switch cover.

Reverse this procedure to install the switch cover and keyboard.

Speaker

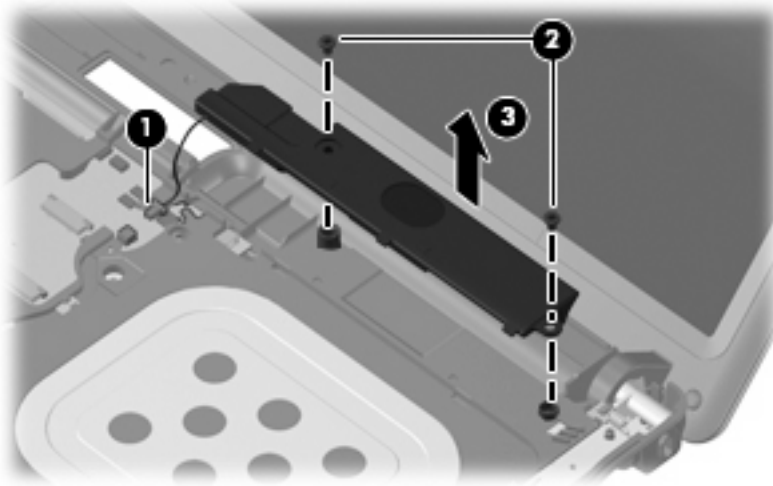
Description	Spare part number
Speaker	456593-001

Before removing the speaker, follow these steps:

1. Shut down the computer. If you are unsure whether the computer is off or in Hibernation, turn the computer on, and then shut it down through the operating system.
2. Disconnect all external devices connected to the computer.
3. Disconnect the power from the computer by first unplugging the power cord from the AC outlet and then unplugging the AC adapter from the computer.
4. Remove the battery (see [Battery on page 37](#)).
5. Remove the keyboard (see [Switch cover and keyboard on page 47](#)).
6. Remove the switch cover (see [Switch cover and keyboard on page 47](#)).


Remove the speaker:

1. Disconnect the speaker cable (1) from the system board.
2. Remove the two Torx T8M2.5×4.0 screws (2) that secure the speaker to the top cover.
3. Remove the speaker (3) from the top cover.



Reverse this procedure to install the speaker.

Display lid switch module

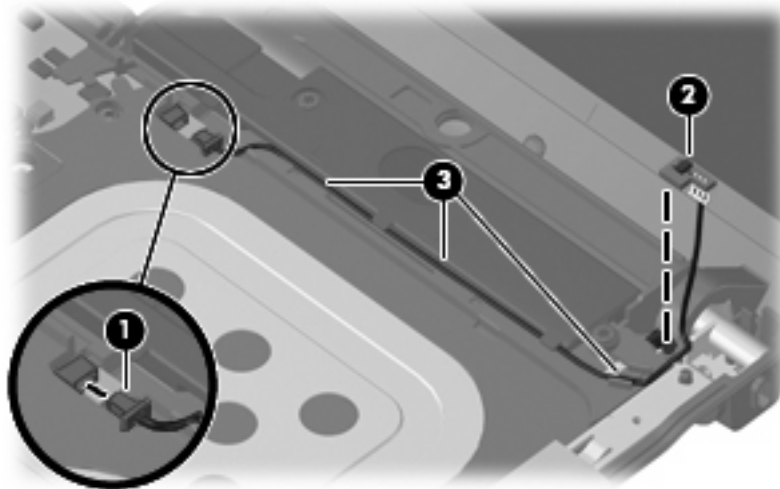
 **NOTE:** The display lid switch module is included in the Cable Kit, spare part number 457400-001.

Before removing the display lid switch module, follow these steps:

1. Shut down the computer. If you are unsure whether the computer is off or in Hibernation, turn the computer on, and then shut it down through the operating system.
2. Disconnect all external devices connected to the computer.
3. Disconnect the power from the computer by first unplugging the power cord from the AC outlet and then unplugging the AC adapter from the computer.
4. Remove the battery (see [Battery on page 37](#)).
5. Remove the keyboard (see [Switch cover and keyboard on page 47](#)).
6. Remove the switch cover (see [Switch cover and keyboard on page 47](#)).


Remove the display lid switch module:

1. Disconnect the display lid switch module cable (**1**) from the system board.
2. Remove the display lid switch module (**2**) from the clip built into the top cover.
3. Remove the display lid switch module cable from the clips (**3**) built into the top cover.



Reverse this procedure to install the display lid switch module.

Display assembly

 **NOTE:** All display assembly spare part kits include 2 WLAN antenna transceivers and cables.

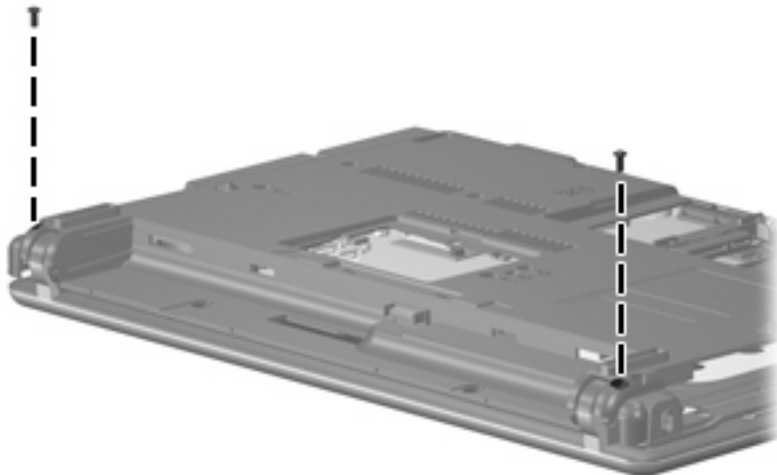
Description	Spare part number
14.1-inch, WXGA BrightView display assembly	500004-001

Before removing the display assembly, follow these steps:

1. Shut down the computer. If you are unsure whether the computer is off or in Hibernation, turn the computer on, and then shut it down through the operating system.
2. Disconnect all external devices connected to the computer.
3. Disconnect the power from the computer by first unplugging the power cord from the AC outlet and then unplugging the AC adapter from the computer.
4. Remove the battery (see [Battery on page 37](#)).
5. Disconnect the wireless antenna cables from the WLAN module (see [WLAN module on page 40](#)).
6. Remove the following components:
 - a. Keyboard (see [Switch cover and keyboard on page 47](#))
 - b. Switch cover (see [Switch cover and keyboard on page 47](#))
 - c. Speaker (see [Speaker on page 51](#))
 - d. Display lid switch module (see [Display lid switch module on page 52](#))

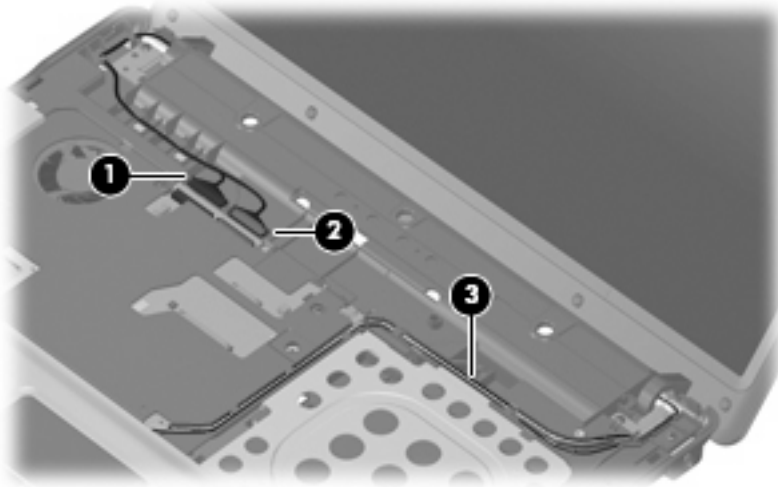
Remove the display assembly:

1. Close the computer and turn it upside down, with the rear panel toward you.
2. Remove the two slotted Torx ST8M2.5×7.0 screws that secure the display assembly to the computer.



3. Turn the computer right-side up, with the front toward you.

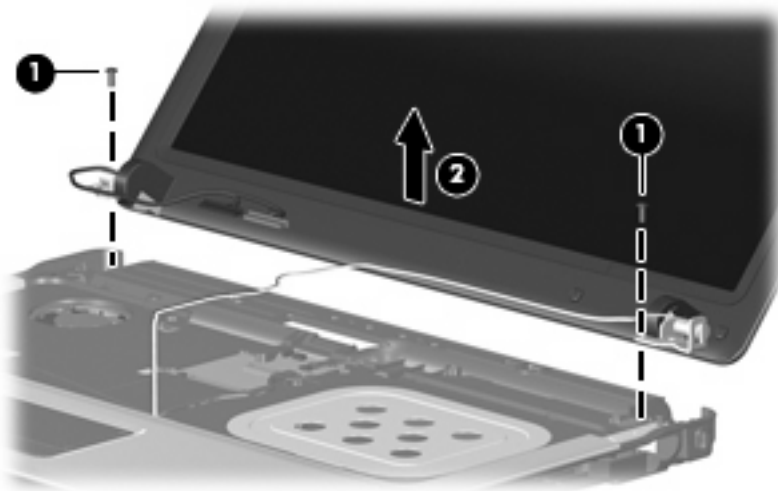
4. Open the computer as far as possible.
5. Disconnect the display panel cables (1) and (2) from the system board.
6. Remove the wireless antenna cables (3) from the clips and routing channels built into the top cover.



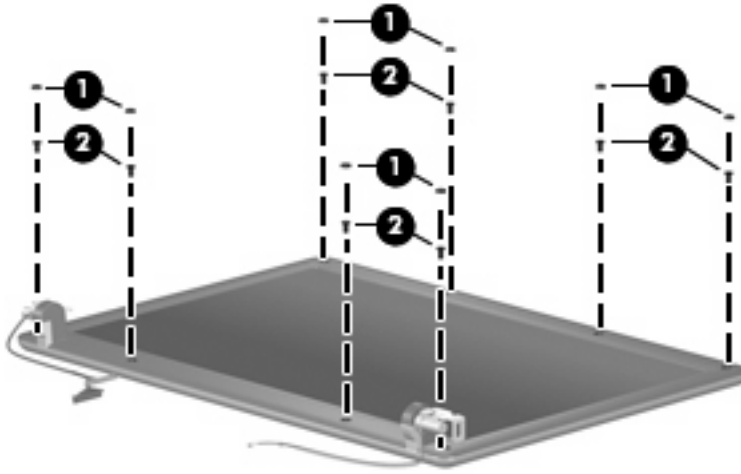
7. Remove the two T8M2.5×7.0 screws (1) that secure the display assembly to the computer.

△ **CAUTION:** Support the display assembly when removing the following screws. Failure to support the display assembly can result in damage to the display assembly and other computer components.

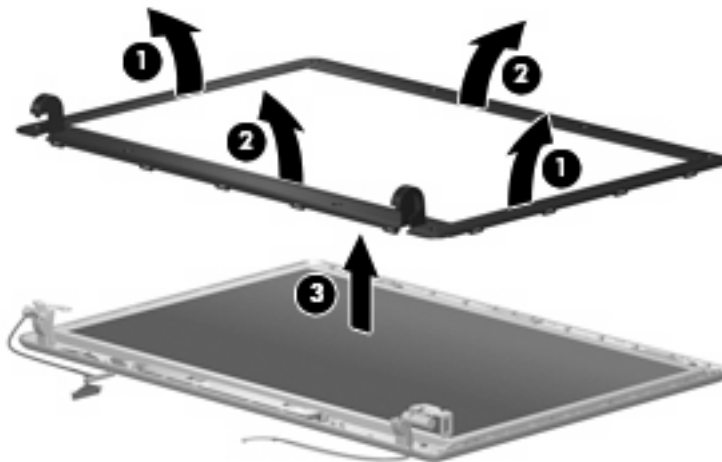
8. Lift the display assembly (2) straight up and remove it.



9. If it is necessary to replace the display bezel, display inverter, or display hinges, remove the eight rubber screw covers (1) and the eight Torx T8M2.5×6.0 screws (2) that secure the display bezel to the display assembly. The rubber screw covers are available in the Rubber Kit, spare part number 500132-001.

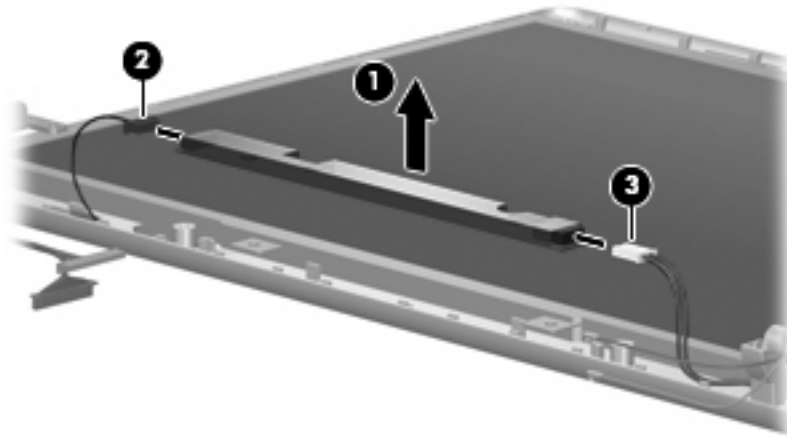


10. Flex the inside edges of the left and right sides (1) and the top and bottom sides (2) of the display bezel until the bezel disengages from the display enclosure.
11. Remove the display bezel (3). The display bezel is available using spare part number 500000-001.

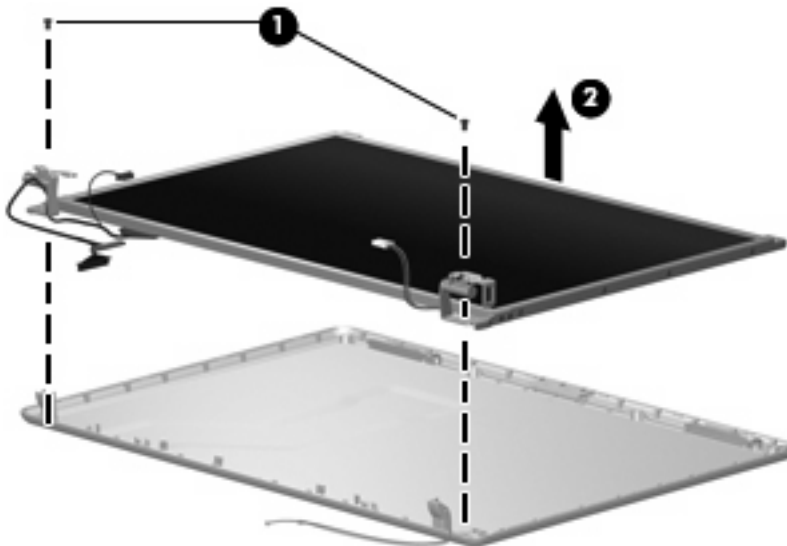


12. If it is necessary to replace the display inverter, remove the inverter (1) from the display enclosure as far as the display panel cable and the backlight cable will allow.

13. Disconnect the display panel cable (2) and the backlight cable (3) from the display inverter.

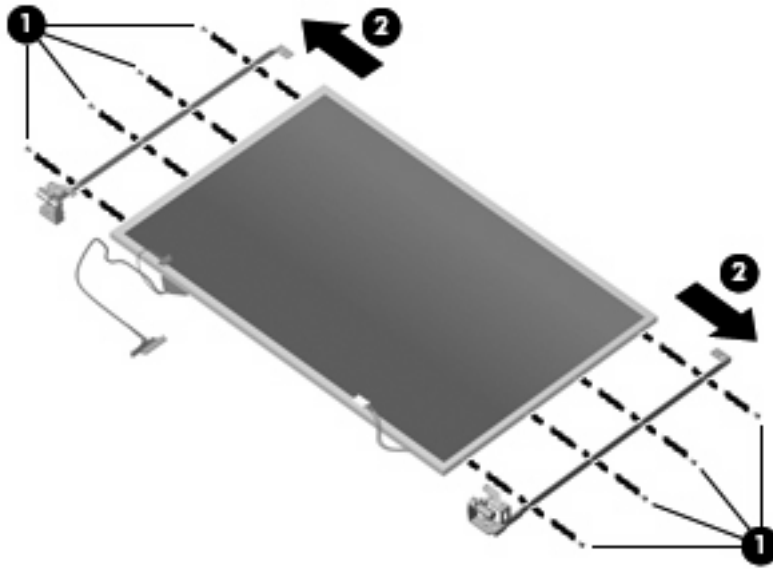


14. Remove the display inverter. The display inverter is available using spare part number 456618-001.
15. If it is necessary to replace the display hinges, remove the two Torx T8M2.5×6.0 screws (1) that secure the display panel to the display enclosure.
16. Remove the display panel (2).




17. Remove the four Phillips PM2.0×4.0 screws (1) that secure each display hinge to the display panel.

18. Remove the display hinges (2). The left and right display hinges are available using spare part number 456619-001.



Reverse this procedure to reassemble and install the display assembly.

Top cover

 **NOTE:** The top cover includes the TouchPad board and cable, and the TouchPad button board and cable.

Description	Spare part number
Top cover	500002-001

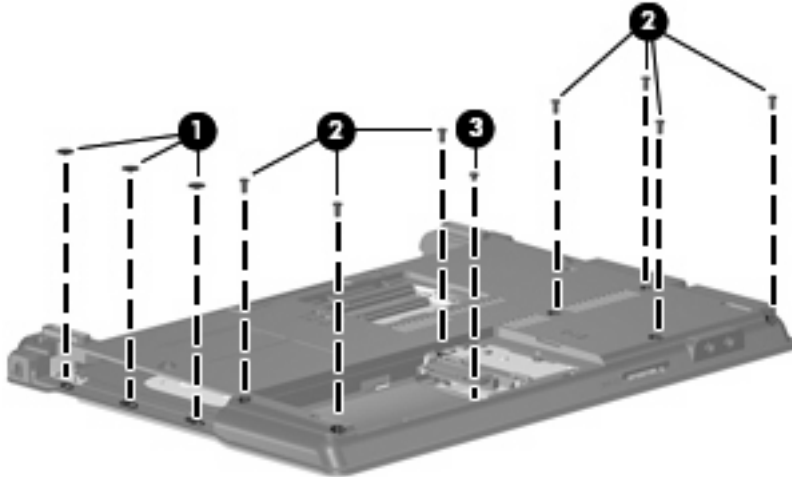
Before removing the top cover, follow these steps:

1. Shut down the computer. If you are unsure whether the computer is off or in Hibernation, turn the computer on, and then shut it down through the operating system.
2. Disconnect all external devices connected to the computer.
3. Disconnect the power from the computer by first unplugging the power cord from the AC outlet and then unplugging the AC adapter from the computer.
4. Remove the battery (see [Battery on page 37](#)).
5. Remove the following components:
 - a. Hard drive (see [Hard drive on page 38](#))
 - b. Optical drive (see [Optical drive on page 45](#))
 - c. Keyboard (see [Switch cover and keyboard on page 47](#))
 - d. Switch cover (see [Switch cover and keyboard on page 47](#))
 - e. Speaker (see [Speaker on page 51](#))
 - f. Display lid switch module (see [Display lid switch module on page 52](#))
 - g. Display assembly (see [Display assembly on page 53](#))

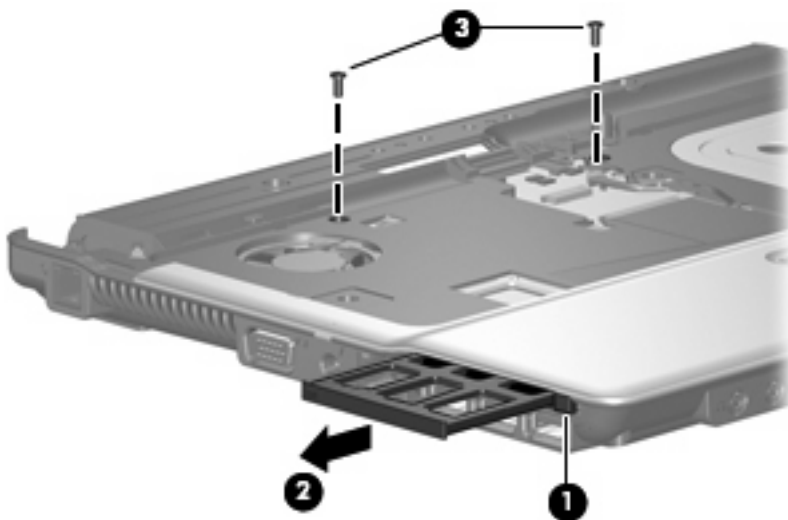
Remove the top cover:

1. Turn the computer upside down, with the front toward you.

2. Remove the following screws:
 - (1) Three Phillips PM2.0×2.0 broad-head screws
 - (2) Seven slotted Torx ST8M2.5×7.0 screws
 - (3) One Torx T8m2.5×4.0 screw

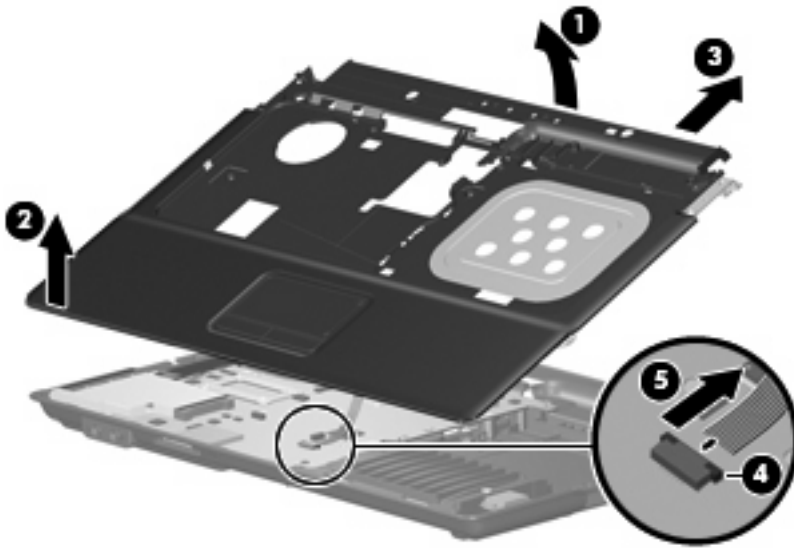


3. Turn the computer right-side up, with the left side toward you.
4. Press in on the ExpressCard slot eject button (1) two times. The first press releases the ExpressCard slot eject button. The second press releases the ExpressCard slot protective insert from the ExpressCard slot.
5. Remove the ExpressCard slot insert (2).
6. Remove the two slotted Torx ST8M2.5×7.0 screws (3) that secure the top cover to the computer.



7. Lift the rear edge of the top cover (1) and swing it up and forward until it rests at an angle.
8. Lift the front edge of the top cover (2) until it disengages from the base enclosure.
9. Tilt the top cover (3) back until the TouchPad cable is accessible.


10. Release the ZIF connector (4) to which the TouchPad cable is connected and disconnect the TouchPad cable (5) from the system board.



11. Remove the top cover.

Reverse this procedure to install the top cover.

TouchPad board and TouchPad button board

 **NOTE:** The top cover, spare part number 500002-001, includes the TouchPad board and cable, and the TouchPad button board and cable.

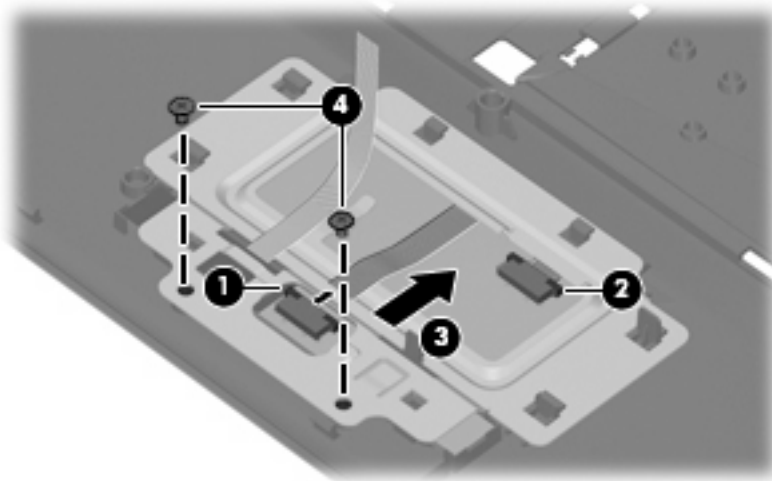
Before removing the TouchPad board and TouchPad button board, follow these steps:

1. Shut down the computer. If you are unsure whether the computer is off or in Hibernation, turn the computer on, and then shut it down through the operating system.
2. Disconnect all external devices connected to the computer.
3. Disconnect the power from the computer by first unplugging the power cord from the AC outlet and then unplugging the AC adapter from the computer.
4. Remove the battery (see [Battery on page 37](#)).
5. Remove the following components:
 - a. Hard drive (see [Hard drive on page 38](#))
 - b. Optical drive (see [Optical drive on page 45](#))
 - c. Keyboard (see [Switch cover and keyboard on page 47](#))
 - d. Switch cover (see [Switch cover and keyboard on page 47](#))
 - e. Speaker (see [Speaker on page 51](#))
 - f. Display lid switch module (see [Display lid switch module on page 52](#))
 - g. Display assembly (see [Display assembly on page 53](#))
 - h. Top cover (see [Top cover on page 58](#))

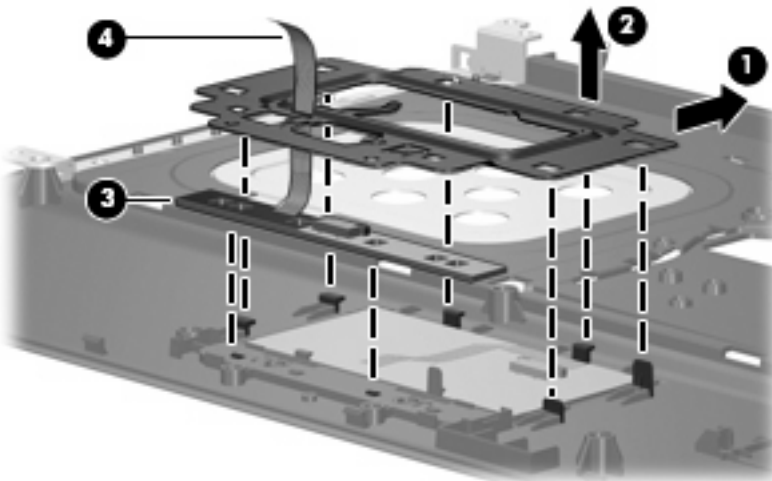
Remove the TouchPad board and TouchPad button board:

1. Turn the top cover upside down, with the front toward you.
2. Release the ZIF connectors on the TouchPad button board **(1)** and TouchPad board **(2)** to which the TouchPad board cable is connected.
3. Disconnect and remove the TouchPad board cable **(3)**.


4. Remove the two Phillips PM2.0×4.0 screws (4) that secure the TouchPad bracket to the computer.

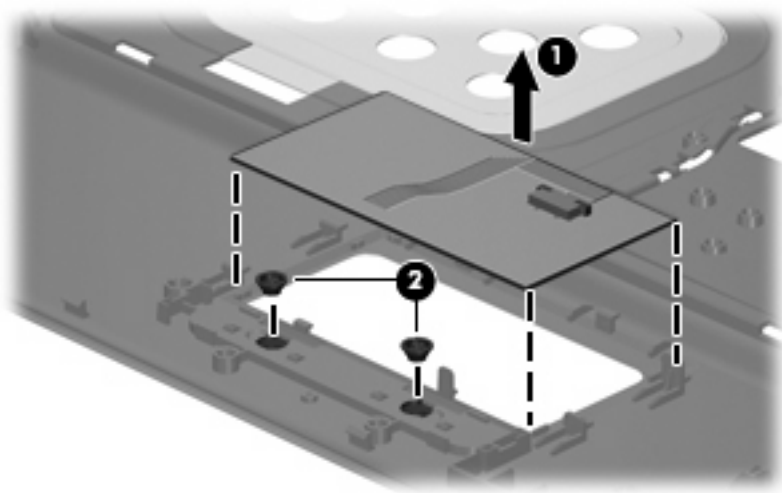


5. Release the TouchPad bracket (1) by sliding it back.
6. Remove the TouchPad bracket (2) by lifting it straight up.
7. Remove the TouchPad button board (3).
8. Remove the TouchPad button board cable (4) from the opening in the TouchPad bracket.




9. Remove the TouchPad board (1) from the top cover.

 **NOTE:** When replacing the TouchPad board and TouchPad button board, be sure the TouchPad button actuators (2) are installed in the top cover.



Reverse this procedure to install the TouchPad board and TouchPad button board.

Bluetooth module

 **NOTE:** The Bluetooth module spare part kits do not include a Bluetooth module cable. The Bluetooth module cable is included in the Cable Kit, spare part number 457400-001. See [Cable Kit on page 20](#) for more Cable Kit spare part number information.

Description	Spare part number
For use in all countries and regions except Japan and Asia Pacific countries and regions	398393-001
For use only in Japan and Asia Pacific countries and regions	450066-001

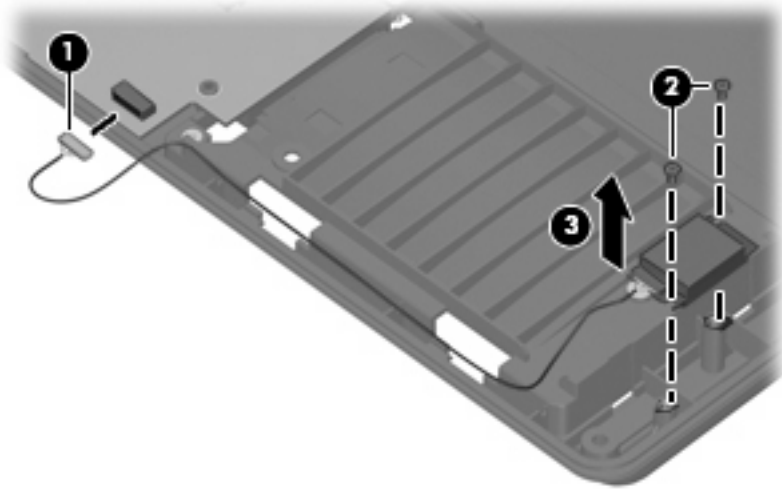
Before removing the Bluetooth module, follow these steps:

1. Shut down the computer. If you are unsure whether the computer is off or in Hibernation, turn the computer on, and then shut it down through the operating system.
2. Disconnect all external devices connected to the computer.
3. Disconnect the power from the computer by first unplugging the power cord from the AC outlet and then unplugging the AC adapter from the computer.
4. Remove the battery (see [Battery on page 37](#)).
5. Remove the following components:
 - a. Hard drive (see [Hard drive on page 38](#))
 - b. Optical drive (see [Optical drive on page 45](#))
 - c. Keyboard (see [Switch cover and keyboard on page 47](#))
 - d. Switch cover (see [Switch cover and keyboard on page 47](#))
 - e. Speaker (see [Speaker on page 51](#))
 - f. Display lid switch module (see [Display lid switch module on page 52](#))
 - g. Display assembly (see [Display assembly on page 53](#))
 - h. Top cover (see [Top cover on page 58](#))

Remove the Bluetooth module:


1. Disconnect the Bluetooth module cable **(1)** from the system board.
2. Remove the two Phillips PM2.0×4.0 screws **(2)** that secure the Bluetooth module to the base enclosure.

3. Remove the Bluetooth module (3) from the base enclosure.



Reverse this procedure to install the Bluetooth module.

System board

 **NOTE:** All system board spare part kits include the ExpressCard assembly.

NOTE: All system board spare part kits include replacement thermal material. Replacement thermal material is also available in the Thermal Material Kit, spare part numbers 456605-001 and 456606-001.

Description	Spare part number
For use only with computer models equipped with Intel Core2 Duo processors and UMA graphics subsystem	495410-001
For use only with computer models equipped with Intel Celeron M processors and UMA graphics subsystem	495395-001
For use only with computer models equipped with discrete graphics subsystem	509115-001
For use only with computer models equipped with discrete graphics subsystem	509116-001

Before removing the system board, follow these steps:

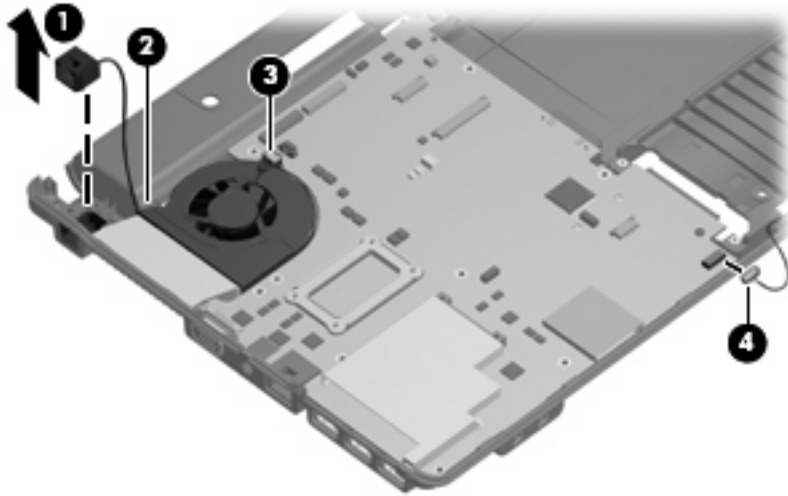
1. Shut down the computer. If you are unsure whether the computer is off or in Hibernation, turn the computer on, and then shut it down through the operating system.
2. Disconnect all external devices connected to the computer.
3. Disconnect the power from the computer by first unplugging the power cord from the AC outlet and then unplugging the AC adapter from the computer.
4. Remove the battery (see [Battery on page 37](#)).
5. Remove the following components:
 - a. Hard drive (see [Hard drive on page 38](#))
 - b. Optical drive (see [Optical drive on page 45](#))
 - c. Keyboard (see [Switch cover and keyboard on page 47](#))
 - d. Switch cover (see [Switch cover and keyboard on page 47](#))
 - e. Speaker (see [Speaker on page 51](#))
 - f. Display lid switch module (see [Display lid switch module on page 52](#))
 - g. Display assembly (see [Display assembly on page 53](#))
 - h. Top cover (see [Top cover on page 58](#))

When replacing the system board, be sure that the following components are removed from the defective system board and installed on the replacement system board:

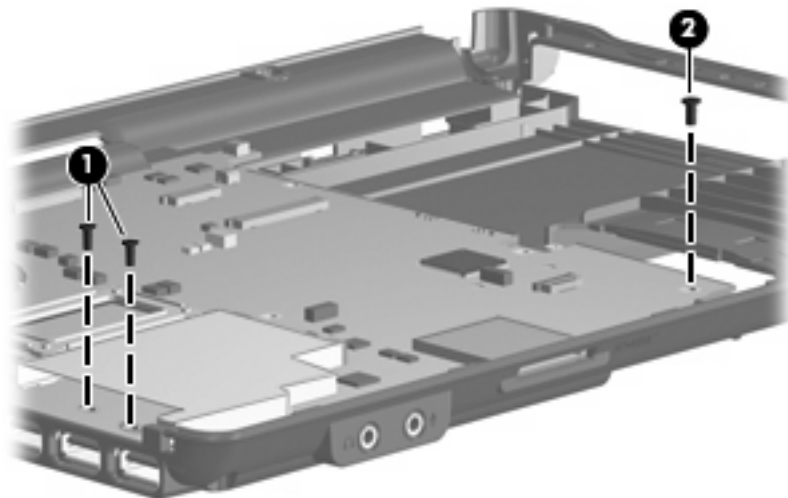
- Memory module (see [Memory module on page 43](#))
- WLAN module (see [WLAN module on page 40](#))
- Processor (see [Processor on page 74](#))

Remove the system board:

1. Remove the RJ-11 jack (1) from the clip built into the base enclosure and remove the RJ-11 jack cable from the hook (2) built into the base enclosure.
2. Disconnect the fan cable (3) and the Bluetooth module cable (4) from the system board.

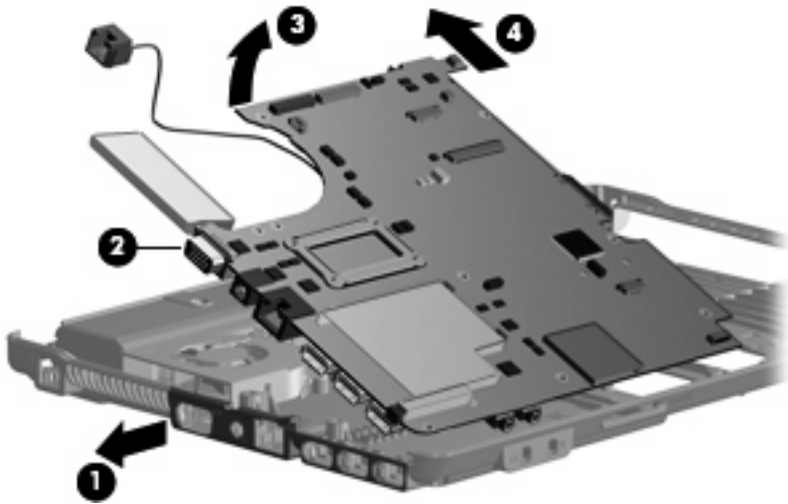


3. Remove the two Phillips PM2.0×6.0 screws (1) and the Torx T8M2.5×4.0 screw (2) that secure the system board to the base enclosure.



4. Flex the left side of the base enclosure (1) until the external monitor connector (2) is clear of the opening in the base enclosure.
5. Lift the rear edge of the system board (3) until it rests at an angle.

6. Remove the system board (4) from the base enclosure by sliding it back.



Reverse the preceding procedure to install the system board.

Fan

Description	Spare part number
Fan	431312-001

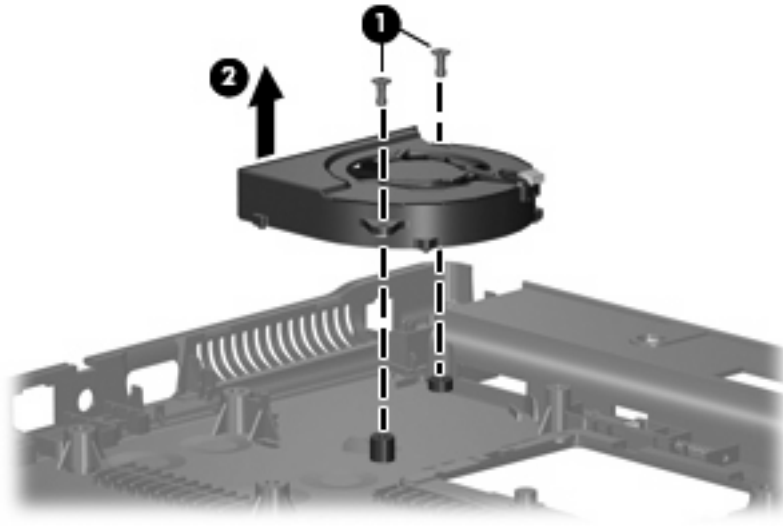
Before removing the fan, follow these steps:

1. Shut down the computer. If you are unsure whether the computer is off or in Hibernation, turn the computer on, and then shut it down through the operating system.
2. Disconnect all external devices connected to the computer.
3. Disconnect the power from the computer by first unplugging the power cord from the AC outlet and then unplugging the AC adapter from the computer.
4. Remove the battery (see [Battery on page 37](#)).
5. Remove the following components:
 - a. Hard drive (see [Hard drive on page 38](#))
 - b. Optical drive (see [Optical drive on page 45](#))
 - c. Keyboard (see [Switch cover and keyboard on page 47](#))
 - d. Switch cover (see [Switch cover and keyboard on page 47](#))
 - e. Speaker (see [Speaker on page 51](#))
 - f. Display lid switch module (see [Display lid switch module on page 52](#))
 - g. Display assembly (see [Display assembly on page 53](#))
 - h. Top cover (see [Top cover on page 58](#))
 - i. System board (see [System board on page 66](#))


Remove the fan:

1. Remove the two Phillips PM2.5×7.0 screws **(1)** that secure the fan to the base enclosure.

2. Remove the fan (2) from the base enclosure.




Reverse this procedure to install the fan.

 **NOTE:** To properly ventilate the computer, allow at least a 7.6-cm (3-inch) clearance on the left side of the computer.

The computer uses an electric fan for ventilation. The fan is controlled by a temperature sensor and is designed to turn on automatically when high temperature conditions exist. These conditions are affected by high external temperatures, system power consumption, power management/battery conservation configurations, battery fast charging, and software requirements. Exhaust air is displaced through the ventilation grill located on the left side of the computer.

Heat sink

 **NOTE:** The heat sink spare part kits include replacement thermal material. Replacement thermal material is also available in the Thermal Material Kit, spare part numbers 456605-001 and 456606-001.


Description	Spare part number
For use only with computer models equipped with UMA graphics subsystem	456605-001
For use only with computer models equipped with discrete graphics subsystem	456606-001

Before removing the heat sink, follow these steps:

1. Shut down the computer. If you are unsure whether the computer is off or in Hibernation, turn the computer on, and then shut it down through the operating system.
2. Disconnect all external devices connected to the computer.
3. Disconnect the power from the computer by first unplugging the power cord from the AC outlet and then unplugging the AC adapter from the computer.
4. Remove the battery (see [Battery on page 37](#)).
5. Remove the following components:
 - a. Hard drive (see [Hard drive on page 38](#))
 - b. Optical drive (see [Optical drive on page 45](#))
 - c. Keyboard (see [Switch cover and keyboard on page 47](#))
 - d. Switch cover (see [Switch cover and keyboard on page 47](#))
 - e. Speaker (see [Speaker on page 51](#))
 - f. Display lid switch module (see [Display lid switch module on page 52](#))
 - g. Display assembly (see [Display assembly on page 53](#))
 - h. Top cover (see [Top cover on page 58](#))
 - i. System board (see [System board on page 66](#))

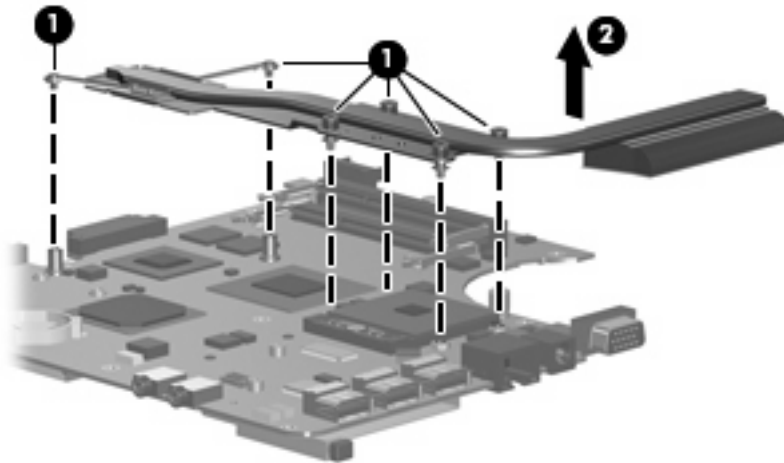
Remove the heat sink:

1. Turn the system board upside down, with the USB connectors toward you.

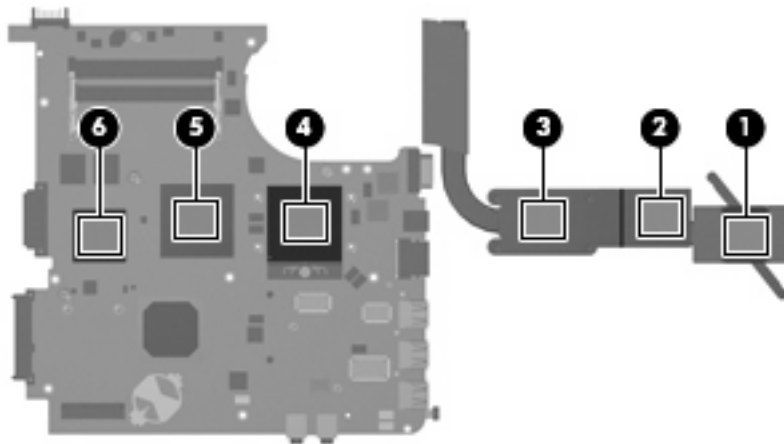
 **NOTE:** Steps 2 and 3 apply only to computer models equipped with graphics subsystems having discrete memory. See steps 4 and 5 for removing the heat sink on computer models with graphics subsystems having UMA memory.

2. Following the 1, 2, 3, 4, 5, 6 sequence stamped into the heat sink, loosen the six Phillips PM2.5×10.0 screws (**1**) that secure the heat sink to the system board.

3. Remove the heat sink (2).



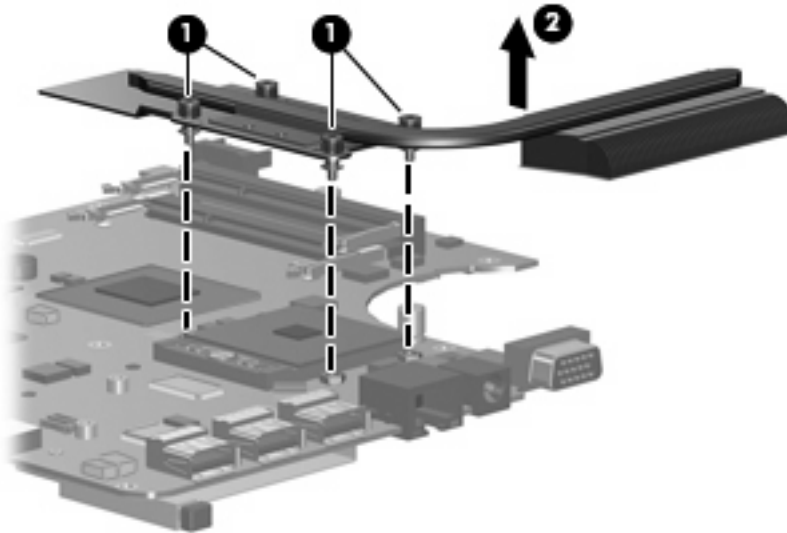
NOTE: The thermal material must be thoroughly cleaned from the surfaces of the heat sink (1), (2), and (3), and the system board components (4), (5), and (6) each time the heat sink is removed. Thermal pads and thermal paste must be installed on all surfaces before the heat sink assembly is reinstalled. Replacement thermal material is included with all heat sink, system board, and processor spare part kits.




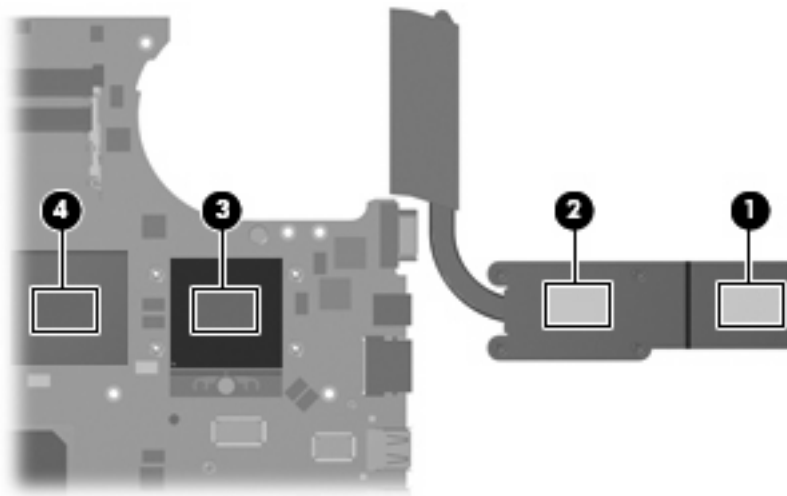
NOTE: Steps 4 and 5 apply only to computer models equipped with graphics subsystems with UMA memory.

4. Following the 1, 2, 3, 4, sequence stamped into the heat sink, loosen the four Phillips PM2.5×10.0 screws (1) that secure the heat sink to the system board.

5. Remove the heat sink (2).




 **NOTE:** The thermal material must be thoroughly cleaned from the surfaces of the heat sink (1) and (2), and the system board (3) and (4) each time the heat sink is removed. Thermal pads and thermal paste must be installed on all surfaces before the heat sink assembly is reinstalled. Replacement thermal material is included with all heat sink, system board, and processor spare part kits.



Reverse this procedure to install the heat sink.

Processor

 **NOTE:** All processor spare part kits include replacement thermal material. Replacement thermal material is also available in the Thermal Material Kit, spare part numbers 456605-001 and 456606-001.

Description	Spare part number
Intel Core2 Duo processors	
• T5470 1.60-GHz processor (2-MB L2 cache, 800-MHz FSB)	500007-001
• T5270 1.40-GHz processor (2-MB L2 cache, 800-MHz FSB)	500005-001
Intel Celeron M processors	
• P550 2.0-GHz (1-MB L2 cache, 533-MHz FSB)	508757-001
• P530 1.73-GHz processor (1-MB L2 cache, 533-MHz FSB)	500006-001
Intel Celeron M Dual Core processors	
• T1400 1.73-GHz (1-MB L2 cache, 533-MHz FSB)	506448-001


Before removing the processor, follow these steps:

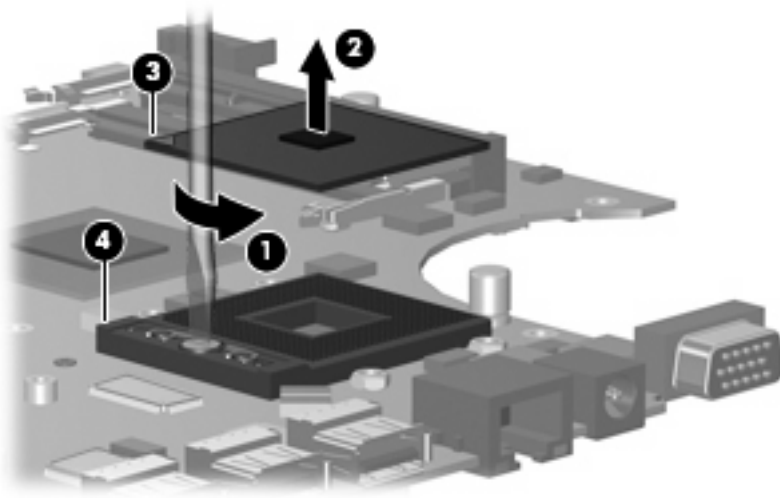
1. Shut down the computer. If you are unsure whether the computer is off or in Hibernation, turn the computer on, and then shut it down through the operating system.
2. Disconnect all external devices connected to the computer.
3. Disconnect the power from the computer by first unplugging the power cord from the AC outlet and then unplugging the AC adapter from the computer.
4. Remove the battery (see [Battery on page 37](#)).
5. Remove the following components:
 - a. Hard drive (see [Hard drive on page 38](#))
 - b. Optical drive (see [Optical drive on page 45](#))
 - c. Keyboard (see [Switch cover and keyboard on page 47](#))
 - d. Switch cover (see [Switch cover and keyboard on page 47](#))
 - e. Speaker (see [Speaker on page 51](#))
 - f. Display lid switch module (see [Display lid switch module on page 52](#))
 - g. Display assembly (see [Display assembly on page 53](#))
 - h. Top cover (see [Top cover on page 58](#))
 - i. System board (see [System board on page 66](#))

Remove the processor:

1. Turn the system board upside down, with the USB connectors toward you.
2. Use a flat-bladed screwdriver to turn the processor locking screw **(1)** one-half turn counterclockwise until you hear a click.


3. Lift the processor (2) straight up and remove it.

 **NOTE:** When you install the processor, the gold triangle (3) on the processor must be aligned with the triangle (4) embossed on the processor socket.



Reverse this procedure to install the processor.

Modem module

 **NOTE:** The modem module spare part kits do not include a modem module cable. The modem module cable is included in the Cable Kit, spare part number 457400-001. See [Cable Kit on page 20](#) for more Cable Kit spare part number information.

Description	Spare part number
For use only in the United States	461749-001
For use only in Japan and Asia Pacific countries and regions	461749-011

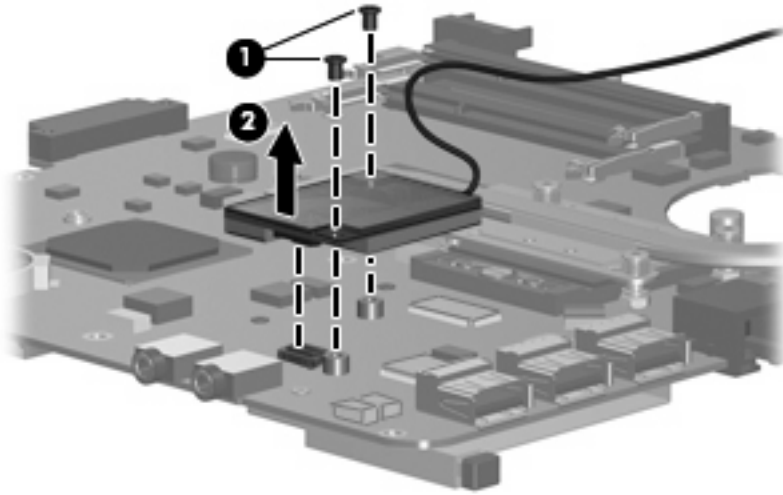
Before removing the modem module, follow these steps:

1. Shut down the computer. If you are unsure whether the computer is off or in Hibernation, turn the computer on, and then shut it down through the operating system.
2. Disconnect all external devices connected to the computer.
3. Disconnect the power from the computer by first unplugging the power cord from the AC outlet and then unplugging the AC adapter from the computer.
4. Remove the battery (see [Battery on page 37](#)).
5. Remove the following components:
 - a. Hard drive (see [Hard drive on page 38](#))
 - b. Optical drive (see [Optical drive on page 45](#))
 - c. Keyboard (see [Switch cover and keyboard on page 47](#))
 - d. Switch cover (see [Switch cover and keyboard on page 47](#))
 - e. Speaker (see [Speaker on page 51](#))
 - f. Display lid switch module (see [Display lid switch module on page 52](#))
 - g. Display assembly (see [Display assembly on page 53](#))
 - h. Top cover (see [Top cover on page 58](#))
 - i. System board (see [System board on page 66](#))

Remove the modem module:

1. Turn the system board upside down, with the USB connectors toward you.
2. Remove the two Phillips PM2.5×4.0 screws (1) that secure the modem module to the system board.


3. Lift the modem module (2) straight up to disconnect it from the system board.



4. Remove the modem module.

Reverse this procedure to install the modem module.

RTC battery

 **NOTE:** Removing the RTC battery and leaving it uninstalled for 5 or more minutes causes all passwords and CMOS settings to be cleared.

Description	Spare part number
RTC battery	449137-001

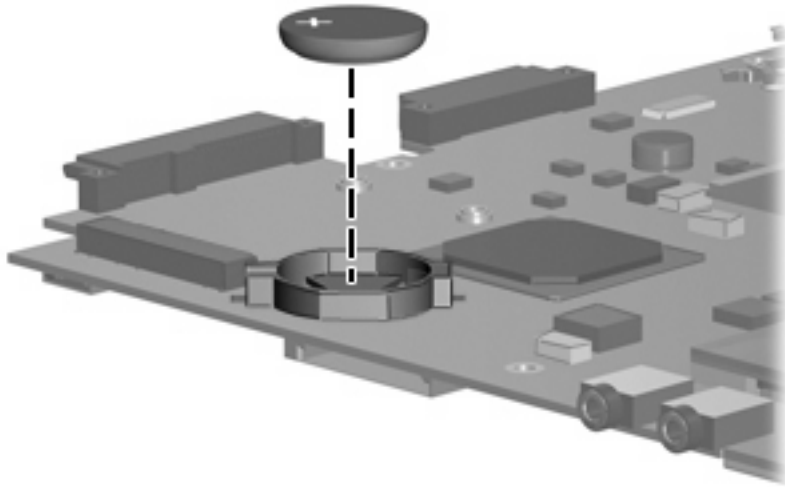
Before removing the RTC battery, follow these steps:

1. Shut down the computer. If you are unsure whether the computer is off or in Hibernation, turn the computer on, and then shut it down through the operating system.
2. Disconnect all external devices connected to the computer.
3. Disconnect the power from the computer by first unplugging the power cord from the AC outlet and then unplugging the AC adapter from the computer.
4. Remove the battery (see [Battery on page 37](#)).
5. Remove the following components:
 - a. Hard drive (see [Hard drive on page 38](#))
 - b. Optical drive (see [Optical drive on page 45](#))
 - c. Keyboard (see [Switch cover and keyboard on page 47](#))
 - d. Switch cover (see [Switch cover and keyboard on page 47](#))
 - e. Speaker (see [Speaker on page 51](#))
 - f. Display lid switch module (see [Display lid switch module on page 52](#))
 - g. Display assembly (see [Display assembly on page 53](#))
 - h. Top cover (see [Top cover on page 58](#))
 - i. System board (see [System board on page 66](#))

Remove the RTC battery:


1. Turn the system board upside down, with the audio connectors toward you.

2. Remove the RTC battery from the socket on the system board.



Reverse this procedure to install the RTC battery.

ExpressCard assembly

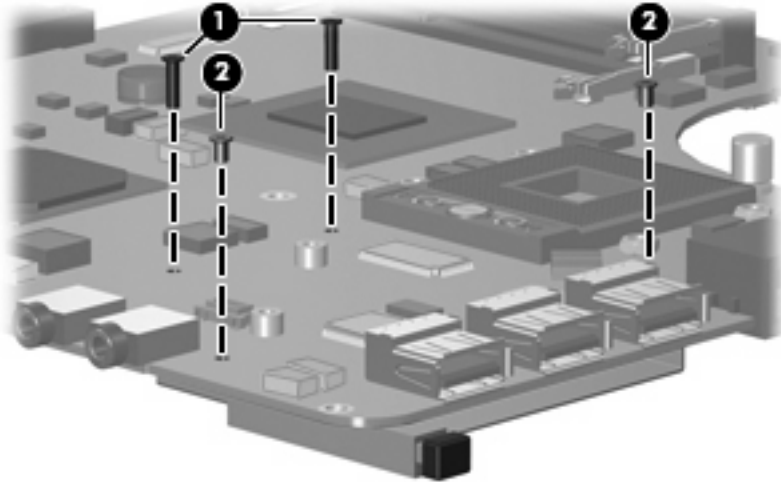
 **NOTE:** All system board spare part kits include the ExpressCard assembly.

Before removing the ExpressCard assembly, follow these steps:

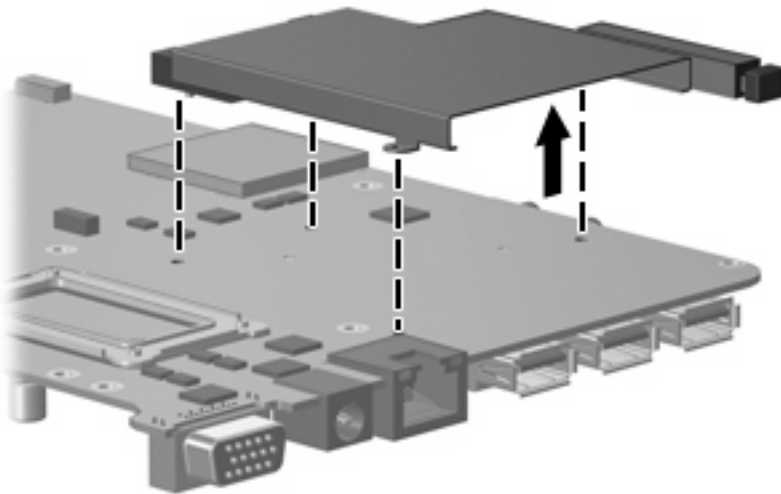
1. Shut down the computer. If you are unsure whether the computer is off or in Hibernation, turn the computer on, and then shut it down through the operating system.
2. Disconnect all external devices connected to the computer.
3. Disconnect the power from the computer by first unplugging the power cord from the AC outlet and then unplugging the AC adapter from the computer.
4. Remove the battery (see [Battery on page 37](#)).
5. Remove the following components:
 - a. Hard drive (see [Hard drive on page 38](#))
 - b. Optical drive (see [Optical drive on page 45](#))
 - c. Keyboard (see [Switch cover and keyboard on page 47](#))
 - d. Switch cover (see [Switch cover and keyboard on page 47](#))
 - e. Speaker (see [Speaker on page 51](#))
 - f. Display lid switch module (see [Display lid switch module on page 52](#))
 - g. Display assembly (see [Display assembly on page 53](#))
 - h. Top cover (see [Top cover on page 58](#))
 - i. System board (see [System board on page 66](#))

Remove the ExpressCard assembly:

1. Turn the system board upside down, with the USB connectors toward you.
2. Remove the two Phillips PM2.0×8.0 screws (1) and the two Phillips PM2.0×4.0 screws (2) that secure the ExpressCard assembly to the system board.



3. Turn the system board right-side up, with the USB connectors toward you.
4. Remove the ExpressCard assembly from the system board.




Reverse this procedure to install the ExpressCard assembly.

5 Computer Setup

Starting Computer Setup

Computer Setup is a preinstalled, ROM-based utility that can be used even when the operating system is not working or will not load.

 **NOTE:** Some of the Computer Setup menu items listed in this guide may not be supported by your computer.

NOTE: Pointing devices are not supported in Computer Setup. You must use the keyboard to navigate and make selections.

NOTE: An external keyboard connected by USB can be used with Computer Setup only if USB legacy support is enabled.

To start Computer Setup, follow these steps:

1. Turn on or restart the computer.
2. Before Windows opens and while the “F10=ROM Based Setup” message is displayed in the lower-left corner of the screen, press **f10**.

Using Computer Setup

Navigating and selecting in Computer Setup

The information and settings in Computer Setup are accessed from the File, Security, Diagnostics, and System Configuration menus.

1. Open Computer Setup by turning on or restarting the computer, and then pressing **f10** while the "F10 = ROM Based Setup" message is displayed in the lower-left corner of the screen.

Because Computer Setup is not Windows-based, it does not support the TouchPad. Navigation and selection are by keystroke:

- To choose a menu or a menu item, use the arrow keys.
 - To select an item, press **enter**.
 - To close open dialog boxes and return to the main Computer Setup screen, press **esc**.
 - To view navigation information, press **f1**.
 - To change the language, press **f2**.
2. Select the **File**, **Security**, **Diagnostics**, or **System Configuration** menu.
 3. To exit Computer Setup, choose one of the following methods:
 - To exit Computer Setup without saving your preferences, use the arrow keys to select **File > Ignore Changes and Exit**. Then follow the instructions on the screen.
 - To save your preferences and exit Computer Setup, use the arrow keys to select **File > Save Changes and Exit**. Then follow the instructions on the screen.


Your preferences go into effect when the computer restarts.

Restoring factory settings in Computer Setup

To return all settings in Computer Setup to the values that were set at the factory, follow these steps:


1. Open Computer Setup by turning on or restarting the computer, and then pressing **f10** while the "F10 = ROM Based Setup" message is displayed in the lower-left corner of the screen.
2. Use the arrow keys to select **File > Restore defaults**, and then press **enter**.
3. When the confirmation dialog box opens, press **f10**.
4. To save your preferences and exit Computer Setup, use the arrow keys to select **File > Save Changes and Exit**. Then follow the instructions on the screen.

Your preferences go into effect when the computer restarts.

 **NOTE:** Your password settings and security settings are not changed when you restore the factory settings.

Computer Setup menus

The menu tables in this section provide an overview of Computer Setup options.

 **NOTE:** Some of the Computer Setup menu items listed in this chapter may not be supported by your computer.

File menu

Select	To do this
System information	<ul style="list-style-type: none">• View identification information for the computer and the batteries in the system.• View specification information for the processor, cache and memory size, system ROM, video revision, and keyboard controller version.
Restore defaults	Replace the configuration settings in Computer Setup with the original factory settings. (Password settings and security settings are not changed when you restore the factory settings.)
Ignore changes and exit	Cancel any changes entered during the current session. Then exit and restart the computer.
Save changes and exit	Save any changes entered during the current session. Then exit and restart the computer. Your changes go into effect when the computer restarts.


Security menu

Select	To do this
Setup password	Enter, change, or delete a setup password.
Power-On password	Enter, change, or delete a power-on password.
Password options	<ul style="list-style-type: none">• Enable/disable stringent security.• Enable/disable password requirement on computer restart.
DriveLock passwords	<ul style="list-style-type: none">• Enable/disable DriveLock on any computer hard drive and on optional MultiBay hard drives.• Change a DriveLock user password or master password. <p>NOTE: DriveLock settings are accessible only when you enter Computer Setup by turning on (not restarting) the computer.</p>
System IDs	Enter user-defined computer asset tracking number and ownership tag.
Disk Sanitizer	Run Disk Sanitizer to destroy all existing data on the primary hard drive. The following options are available: <ul style="list-style-type: none">• Fast: Runs the Disk Sanitizer erase cycle once.• Optimum: Runs the Disk Sanitizer erase cycle 3 times.• Custom: Allows you to select the desired number of Disk Sanitizer erase cycles from a list. <p>CAUTION: If you run Disk Sanitizer, the data on the primary hard drive is destroyed permanently.</p>

Diagnostics menu

Select	To do this
Hard Drive Self-Test options	Run a comprehensive self-test on any hard drive in the system or on any optional MultiBay hard drive.
Memory Check	Run a comprehensive check on system memory.
Startup Check (select models only)	Verify the system components needed for starting the computer.

System Configuration menu

 **NOTE:** Some of the listed System Configuration options may not be supported by your computer.

Select	To do this
Language (or press f2)	Change the Computer Setup language.
Boot options	<ul style="list-style-type: none">• Set f9, f10, and f12 delay when starting up.• Enable/disable CD-ROM boot.• Enable/disable floppy boot.• Enable/disable internal network adapter boot and set the boot mode (PXE or RPL).• Enable/disable MultiBoot, which sets a boot order that can include most boot devices in the system.• Set the Express Boot Popup delay in seconds.• Set the boot order.
Device configurations	<ul style="list-style-type: none">• Swap the functions of the fn key and left ctrl key.• Enable/disable multiple standard pointing devices at startup. (To set the computer to support only a single, usually nonstandard, pointing device at startup, select Disable.)• Enable/disable USB legacy support. When enabled, USB legacy support allows the following:<ul style="list-style-type: none">◦ Use of a USB keyboard, mouse, and hub in Computer Setup even when a Windows operating system is not running.◦ Startup from bootable USB devices, including a hard drive, diskette drive, or optical drive connected by a

Select	To do this
	USB port to the computer or to an optional docking device (select models only).
	<ul style="list-style-type: none">• Select a parallel port mode: EPP (Enhanced Parallel Port), standard, bidirectional, or ECP (Enhanced Capabilities Port).• Enable/disable BIOS DMA data transfers.• Enable/disable fan always on while connected to an AC outlet.• Enable/disable Intel Data Execution Prevention or AMD® PSAE Execution Disable. When enabled, the processor can disable some virus code execution, which helps to improve computer security.• Enable/disable LAN Power Save. When enabled, saves power by turning off the LAN when not in use.• Enable/disable SATA Native Mode.• Enable/disable Dual Core CPU.• Enable/disable Secondary Battery Fast Charge.• Choose Bit-shift or LBA assisted HDD Translation Mode.• Enable/disable Windows direct application launcher.• Enable/disable HP Lockout.

Select	To do this
Built-In Device Options	<ul style="list-style-type: none"> • Enable/disable embedded WWAN Device Radio. • Enable/disable embedded WLAN Device Radio. • Enable/disable embedded Bluetooth® Device Radio. • Enable/disable LAN/WLAN Switching. When enabled, switches to a WLAN when a LAN is either unavailable or disconnected. • Enable/disable Wake on LAN from Off. • Enable/disable the ambient light sensor.
Port Options	<ul style="list-style-type: none"> • Enable/disable the serial port. • Enable/disable the parallel port. • Enable/disable the flash media reader. • Enable/disable the USB port. <p>CAUTION: Disabling the USB port also disables MultiBay devices and ExpressCard devices on the advanced port replicator.</p> <ul style="list-style-type: none"> • Enable/disable the 1394 port. • Enable/disable the cardbus slot. • Enable/disable the ExpressCard slot. • Enable/disable the infrared port. • Enable/disable the optical disk drive. • Enable/disable the network controller.

6 Specifications

Computer specifications

	Metric	U.S.
Dimensions		
Depth	24.64 cm	9.70 in
Width	33.80 cm	13.31 in
Height (front to rear)	3.08 to 3.43 cm	1.21 to 1.35 in
Weight (equipped with optical drive, hard drive, and battery)	2.20 kg	4.85 lbs
Input power		
Operating voltage	19.0 V dc @ 4.74 A – 90 W	
Operating current	4.74 A	
Temperature		
Operating (not writing to optical disc)	0°C to 35°C	32°F to 95°F
Operating (writing to optical disc)	5°C to 35°C	41°F to 95°F
Nonoperating	-20°C to 60°C	-4°F to 140°F
Relative humidity		
Operating	10% to 90%	
Nonoperating	5% to 95%	
Maximum altitude (unpressurized)		
Operating	-15 m to 3,048 m	-50 ft to 10,000 ft
Nonoperating	-15 m to 12,192 m	-50 ft to 40,000 ft
Shock		
Operating	125 g, 2 ms, half-sine	
Nonoperating	200 g, 2 ms, half-sine	
Random vibration		
Operating	0.75 g zero-to-peak, 10 Hz to 500 Hz, 0.25 oct/min sweep rate	

	Metric	U.S.
Nonoperating	1.50 g zero-to-peak, 10 Hz to 500 Hz, 0.5 oct/min sweep rate	

NOTE: Applicable product safety standards specify thermal limits for plastic surfaces. The computer operates well within this range of temperatures.

14.1-inch, WXGA display specifications

	Metric	U.S.
Dimensions		
Height	27.94 cm	11.0 in
Width	20.83 cm	8.2 in
Diagonal	35.56 cm	14.1 in
Number of colors	Up to 16.8 million	
Contrast ratio	250:1 (typical)	
Brightness	180 nits (typical)	
Pixel resolution		
Pitch	0.279 × 0.279 mm	
Format	1280 × 800	
Configuration	RGB vertical stripe	
Backlight	Edge lit	
Character display	80 × 25	
Total power consumption	4.0 W	
Viewing angle	+/-40 horizontal, +20/-40° vertical (typical)	

Hard drive specifications

	250-GB*	120-GB*	80-GB*
Dimensions			
Height	9.5 mm	9.5 mm	9.5 mm
Width	70 mm	70 mm	70 mm
Weight	101 g	101 g	101 g
Interface type			
	SATA	SATA	SATA
Transfer rate			
	100 MB/sec	100 MB/sec	100 MB/sec
Security			
	ATA security	ATA security	ATA security
Seek times (typical read, including setting)			
Single track	3 ms	3 ms	3 ms
Average	13 ms	13 ms	13 ms
Maximum	24 ms	24 ms	24 ms
Logical blocks			
	488,397,168	234,420,480	156,280,320
Disc rotational speed			
	5400 rpm	5400 rpm	5400 rpm
Operating temperature			
	5°C to 55°C (41°F to 131°F)		
*1 GB = 1 billion bytes when referring to hard drive storage capacity. Actual accessible capacity is less. Actual drive specifications may differ slightly.			
NOTE: Certain restrictions and exclusions apply. Contact technical support for details.			

DVD±RW and CD-RW Double-Layer Combo Drive specifications

Applicable disc	Read:	Write:
	CD-DA, CD+(E)G, CD-MIDI, CD-TEXT, CD-ROM, CD-ROM XA, MIXED MODE CD, CD-I, CD-I Bridge (Photo-CD, Video CD), Multisession CD (Photo-CD, CD-EXTRA, Portfolio, CD-R, CD-RW), CD-R, CD-RW, DVD-ROM (DVD-5, DVD-9, DVD-10, DVD-18), DVD-R, DVD-RW, DVD+R, DVD+RW, DVD-RAM	CD-R and CD-RW DVD+R, DVD+RW, DVD-R, DVD-RW, DVD-RAM
Access time	CD	DVD
Random	< 175 ms	< 230 ms
Cache buffer	2 MB	
Data transfer rate		
24X CD-ROM	3,600 KB/sec	
8X DVD-ROM	10,800 KB/sec	
24X CD-R	3,600 KB/sec	
16X CD-RW	2,400 KB/sec	
8X DVD+R	10,800 KB/sec	
4X DVD+RW	5,400 KB/sec	
8X DVD-R	10,800 KB/sec	
4X DVD-RW	5,400 KB/sec	
2.4X DVD+R(9)	2,700 KB/sec	
5X DVD-RAM	6,750 KB/sec	
Transfer mode	Multiword DMA Mode	

DVD/CD-RW Combo Drive specifications

Applicable disc	Read:	Write:
	CD-DA, CD+(E)G, CD-MIDI, CD-TEXT, CD-ROM, CD-ROM XA, MIXED MODE CD, CD-I, CD-I Bridge (Photo-CD, Video CD), Multisession CD (Photo-CD, CD-EXTRA, Portfolio, CD-R, CD-RW), CD-R, CD-RW, DVD-ROM (DVD-5, DVD-9, DVD-10, DVD-18), DVD-R, DVD-RW, DVD+R, DVD+RW, DVD-RAM	CD-R and CD-RW
Access time	CD	DVD
Random	< 110 ms	< 130 ms
Cache buffer	2 MB	
Data transfer rate		
24X CD-ROM	3,600 KB/sec	
8X DVD	3,600 KB/sec	
24X CD-R	3,600 KB/sec	
24X CD-RW	3,600 KB/sec	
Transfer mode	Multiword DMA mode 2	

System DMA specifications

Hardware DMA	System function
DMA0	Not applicable
DMA1*	Not applicable
DMA2*	Not applicable
DMA3	Not applicable
DMA4	Direct memory access controller
DMA5*	Available for ExpressCard
DMA6	Not assigned
DMA7	Not assigned

*ExpressCard controller can use DMA 1, 2, or 5.

System interrupt specifications

Hardware IRQ	System function
IRQ0	System timer
IRQ1	Standard 101-/102-Key or Microsoft Natural Keyboard
IRQ2	Cascaded
IRQ3	Intel 82801DB/DBM USB2 Enhanced Host Controller—24CD
IRQ4	COM1
IRQ5*	Conexant AC—Link Audio Intel 82801DB/DBM SMBus Controller—24C3 Data Fax Modem with SmartCP
IRQ6	Diskette drive
IRQ7*	Parallel port
IRQ8	System CMOS/real-time clock
IRQ9*	Microsoft ACPI-compliant system
IRQ10*	Intel USB UHCI controller—24C2 Intel 82852/82855 GM/GME Graphic Controller Realtek RTL8139 Family PCI Fast Ethernet Controller
IRQ11	Intel USB EHCI controller—24CD Intel USB UHCI controller—24C4 Intel USB UHCI controller—24C7 Intel Pro/Wireless 2200BG TI OHCI 1394 host controller TI PCI1410 CardBus controller
IRQ12	Synaptics PS/2 TouchPad
IRQ13	Numeric data processor
IRQ14	Primary IDE channel
IRQ15	Secondary IDE channel

*Default configuration; audio possible configurations are IRQ5, IRQ7, IRQ9, IRQ10, or none.

NOTE: ExpressCards may assert IRQ3, IRQ4, IRQ5, IRQ7, IRQ9, IRQ10, IRQ11, or IRQ15. Either the infrared or the serial port may assert IRQ3 or IRQ4.

System I/O address specifications

I/O address (hex)	System function (shipping configuration)
000 - 00F	DMA controller no. 1
010 - 01F	Unused
020 - 021	Interrupt controller no. 1
022 - 024	Opti chipset configuration registers
025 - 03F	Unused
02E - 02F	87334 "Super I/O" configuration for CPU
040 - 05F	Counter/timer registers
044 - 05F	Unused
060	Keyboard controller
061	Port B
062 - 063	Unused
064	Keyboard controller
065 - 06F	Unused
070 - 071	NMI enable/RTC
072 - 07F	Unused
080 - 08F	DMA page registers
090 - 091	Unused
092	Port A
093 - 09F	Unused
0A0 - 0A1	Interrupt controller no. 2
I/O Address (hex)	System Function (shipping configuration)
0A2 - 0BF	Unused
0C0 - 0DF	DMA controller no. 2
0E0 - 0EF	Unused
0F0 - 0F1	Coprocessor busy clear/reset
0F2 - 0FF	Unused
100 - 16F	Unused
170 - 177	Secondary fixed disk controller
178 - 1EF	Unused
1F0 - 1F7	Primary fixed disk controller
1F8 - 200	Unused
201	JoyStick (decoded in ESS1688)
202 - 21F	Unused

I/O address (hex)	System function (shipping configuration)
220 - 22F	Entertainment audio
230 - 26D	Unused
26E - 26	Unused
278 - 27F	Unused
280 - 2AB	Unused
2A0 - 2A7	Unused
2A8 - 2E7	Unused
2E8 - 2EF	Reserved serial port
2F0 - 2F7	Unused
2F8 - 2FF	Infrared port
300 - 31F	Unused
320 - 36F	Unused
370 - 377	Secondary diskette drive controller
378 - 37F	Parallel port (LPT1/default)
380 - 387	Unused
388 - 38B	FM synthesizer—OPL3
38C - 3AF	Unused
3B0 - 3BB	VGA
3BC - 3BF	Reserved (parallel port/no EPP support)
3C0 - 3DF	VGA
3E0 - 3E1	ExpressCard controller in CPU
3E2 - 3E3	Unused
3E8 - 3EF	Internal modem
3F0 - 3F7	"A" diskette controller
3F8 - 3FF	Serial port (COM1/default)
CF8 - CFB	PCI configuration index register (PCIDIVO-1)
CFC - CFF	PCI configuration data register (PCIDIVO-1)

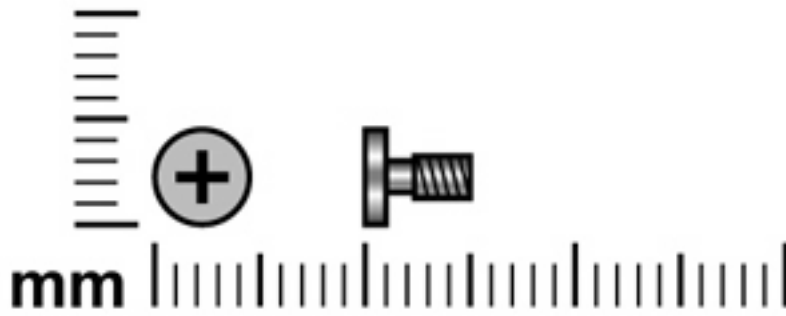
System memory map specifications

Size	Memory address	System function
640 KB	00000000-0009FFFF	Base memory
128 KB	000A0000-000BFFFF	Video memory
48 KB	000C0000-000CBFFF	Video BIOS
160 KB	000C8000-000E7FFF	Unused
64 KB	000E8000-000FFFFFF	System BIOS
15 MB	00100000-00FFFFFF	Extended memory
58 MB	04800000-07FFFFFF	Super extended memory
58 MB	04800000-07FFFFFF	Unused
2 MB	08000000-080FFFFFF	Video memory (direct access)
4 GB	08200000-FFFFFF	Unused
64 KB	FFFF0000-FFFFFFFF	System BIOS

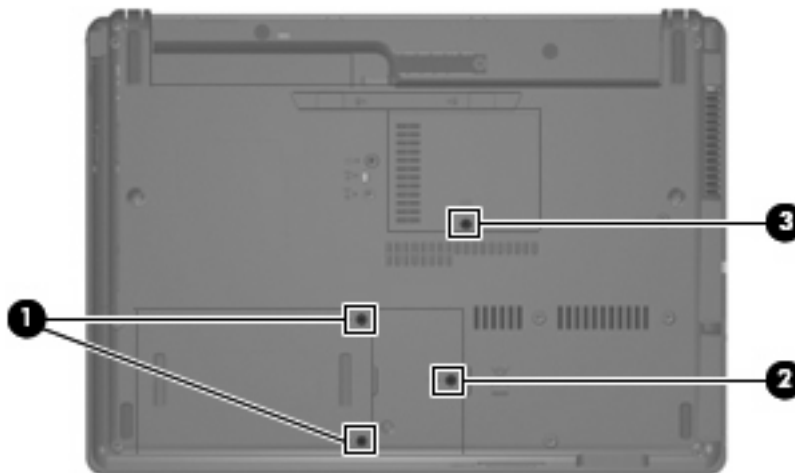
7 Screw listing

This section provides specification and reference information for the screws and screw locks used in the computer. All screws listed in this section are available in the Screw Kit, spare part number 500130-001.

Phillips PM2.0×5.0 captive screw



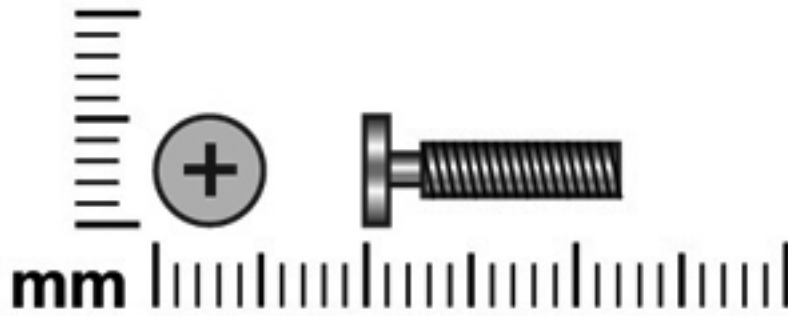
Color	Quantity	Length	Thread	Head diameter
Black	4	5.0 mm	2.0 mm	5.0 mm



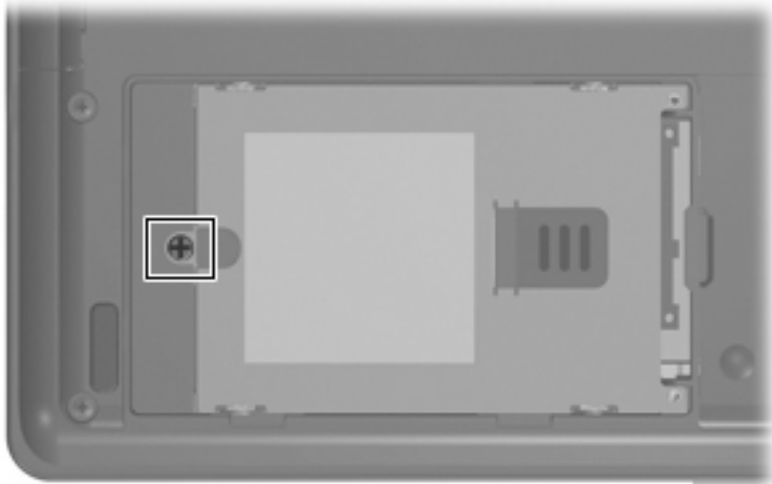
Where used:

- (1) Two captive screws that secure the hard drive bay cover to the computer (screws are captured on the cover by C-clips)
- (2) One captive screw that secures the WLAN module compartment cover to the computer (screw is captured on the cover by a C-clip)
- (3) One captive screw that secures the memory module compartment cover to the computer (screw is captured on the cover by a C-clip)

Phillips PM2.5×12.0 captive screw

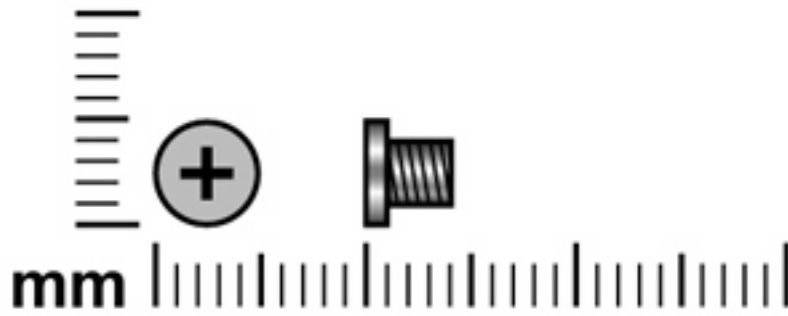


Color	Quantity	Length	Thread	Head diameter
Silver	1	12.0 mm	2.5 mm	5.0 mm

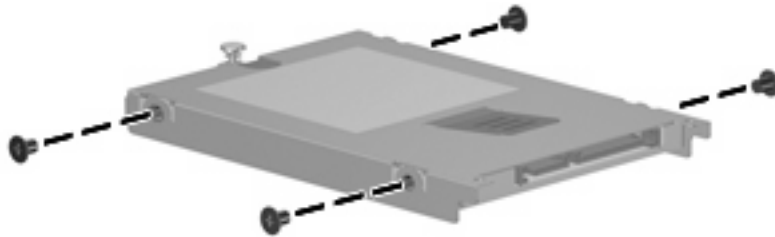


Where used: One captive screw that secures the hard drive to the computer (screw is secured to the hard drive bracket)

Phillips PM3.0×4.0 screw

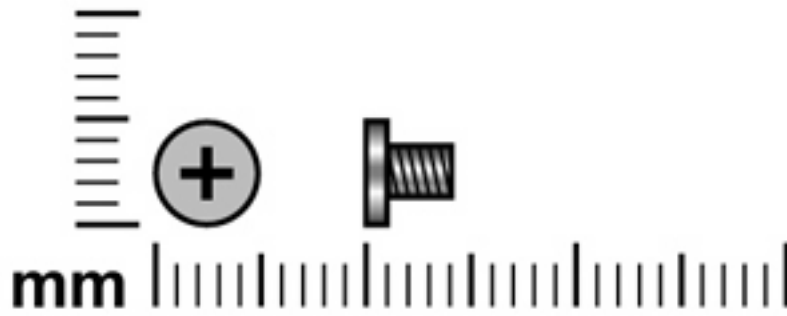


Color	Quantity	Length	Thread	Head diameter
Silver	4	4.0 mm	3.0 mm	5.0 mm

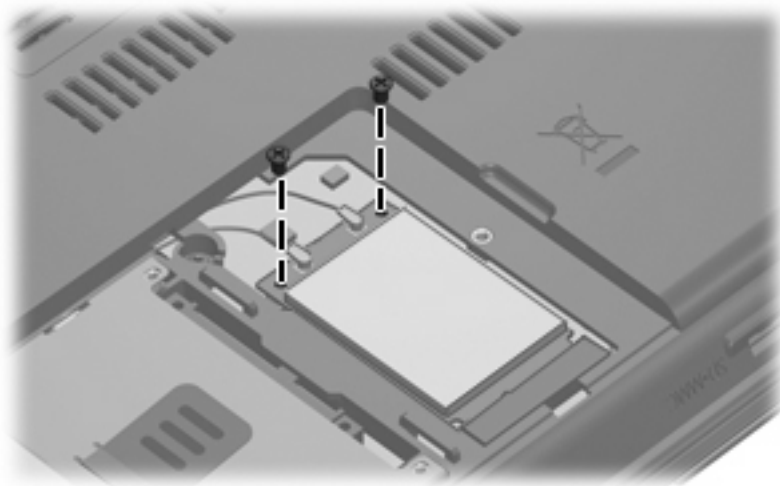


Where used: 4 screws that secure the hard drive bracket to the hard drive

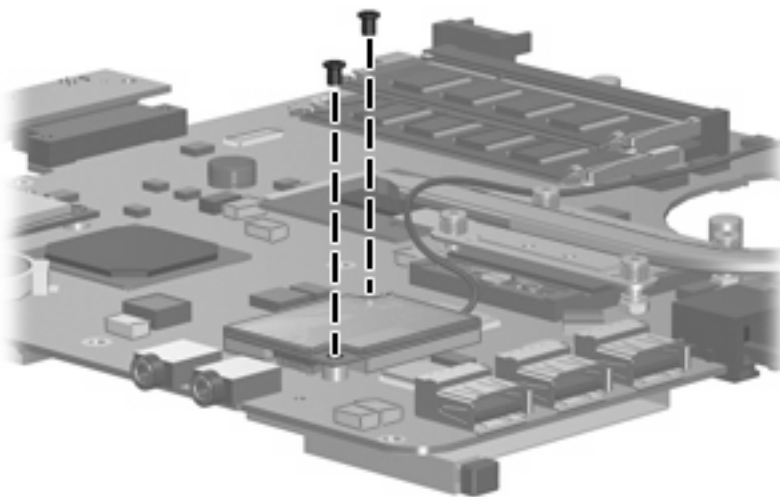
Phillips PM2.5×4.0 screw



Color	Quantity	Length	Thread	Head diameter
Black	4	4.0 mm	2.5 mm	5.0 mm

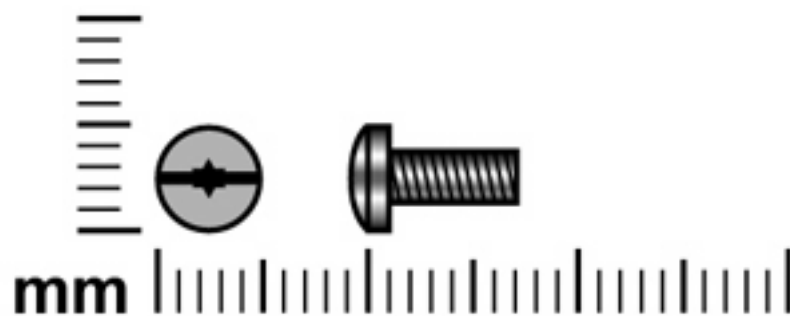


Where used: 2 screws that secure the WLAN module to the system board

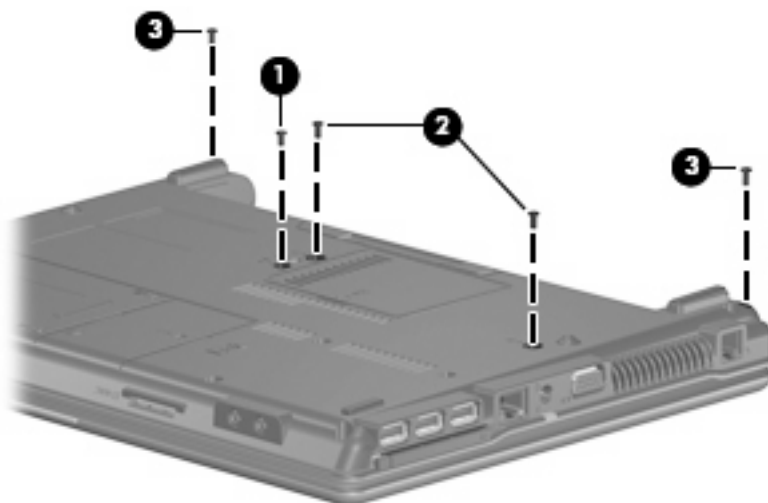


Where used: 2 screws that secure the modem module to the system board

Slotted Torx ST8M2.5×7.0 screw

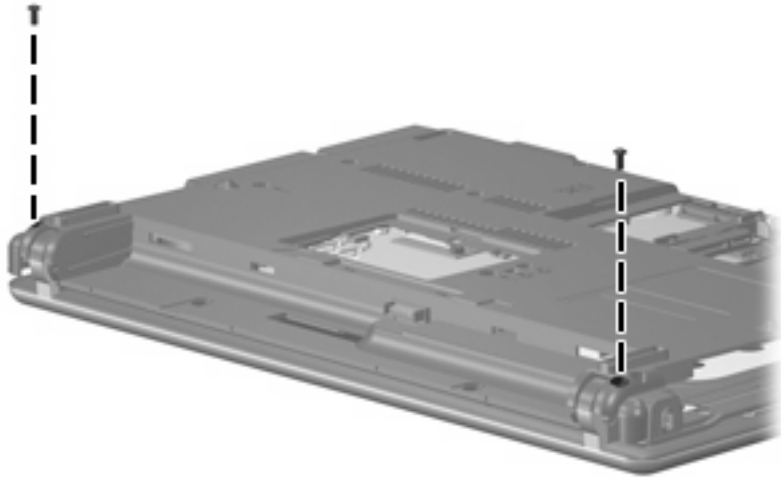


Color	Quantity	Length	Thread	Head diameter
Black	18	7.0 mm	2.5 mm	5.0 mm



Where used:

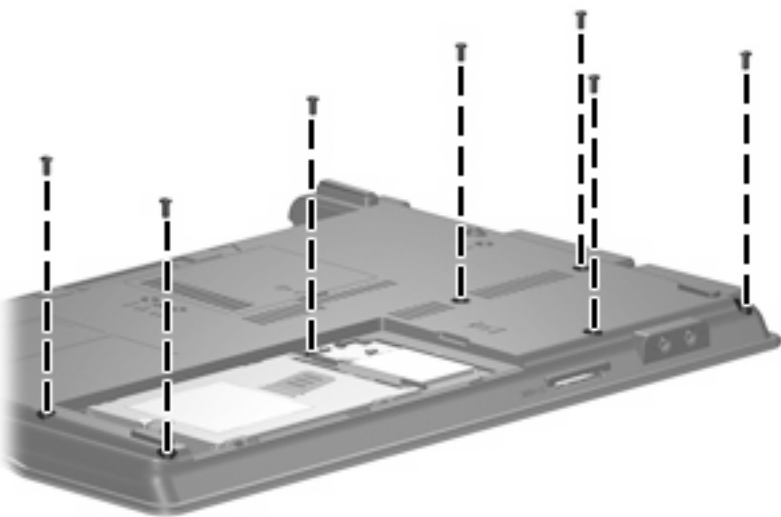
- (1) One screw that secures the optical drive to the computer
- (2) Two screws that secure the keyboard to the computer
- (3) Two screws that secure the switch cover to the computer



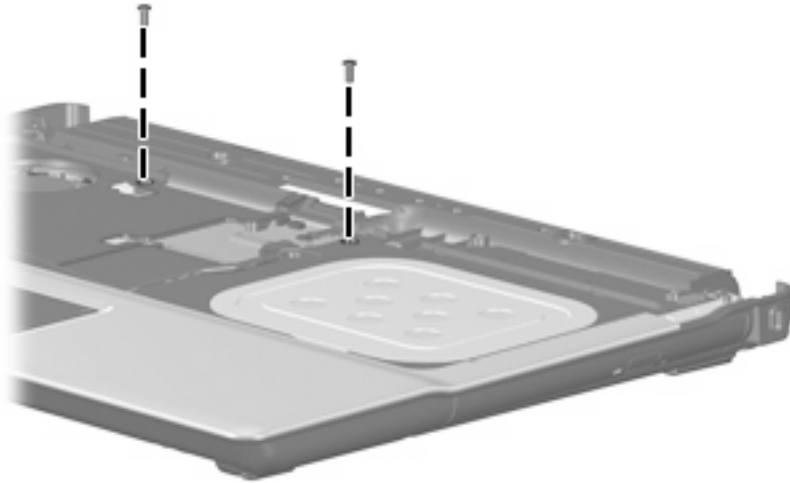
Where used: 2 screws that secure the display assembly to the computer



Where used: 2 screws that secure the display assembly to the computer

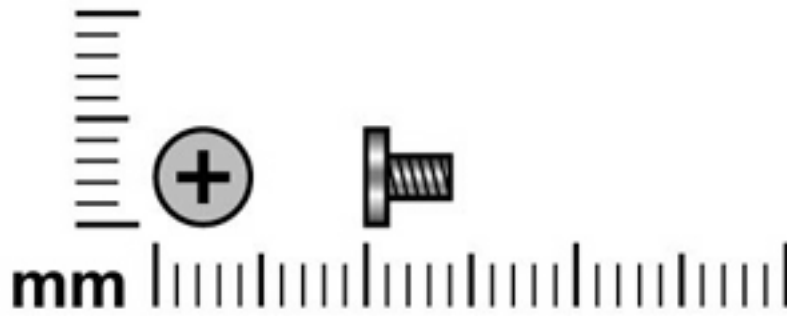


Where used: 7 screws that secure the top cover to the base enclosure



Where used: 2 screws that secure the top cover to the base enclosure

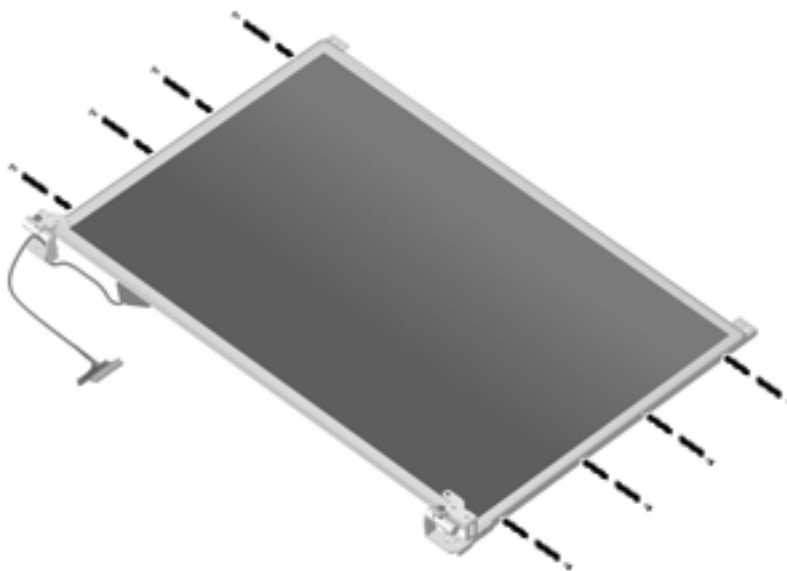
Phillips PM2.0×4.0 screw



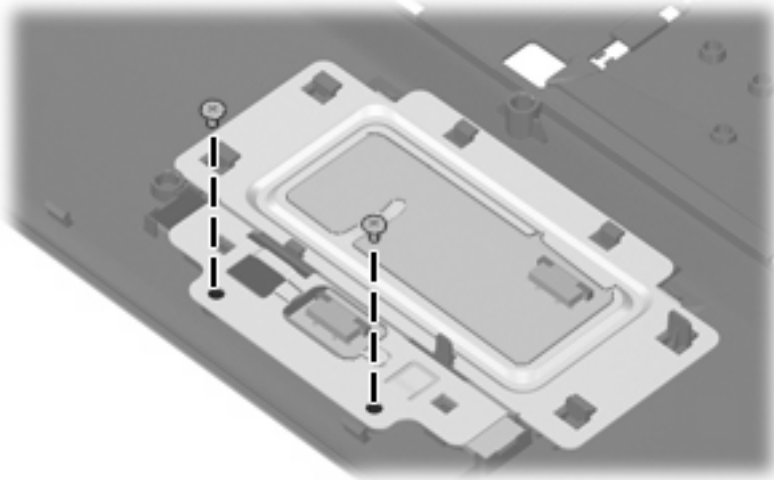
Color	Quantity	Length	Thread	Head diameter
Silver	16	4.0 mm	2.0 mm	4.5 mm



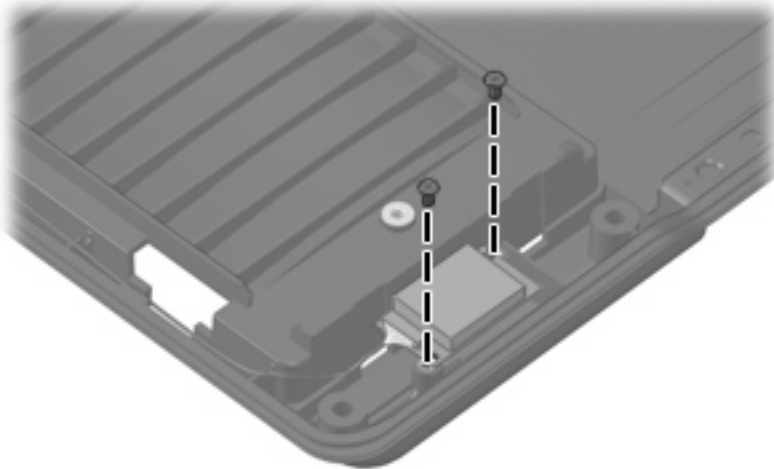
Where used: 2 screws that secure the optical drive bracket to the optical drive



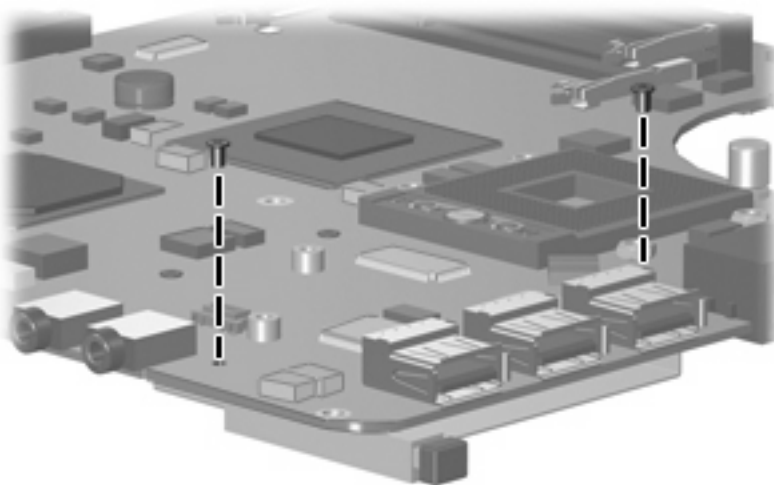
Where used: 8 screws that secure the display hinges to the display assembly



Where used: 2 screws that secure the TouchPad bracket and TouchPad button board to the top cover

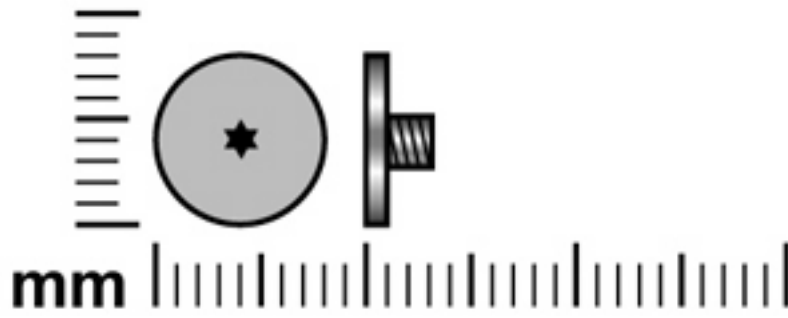


Where used: 2 screws that secure the Bluetooth module to the base enclosure

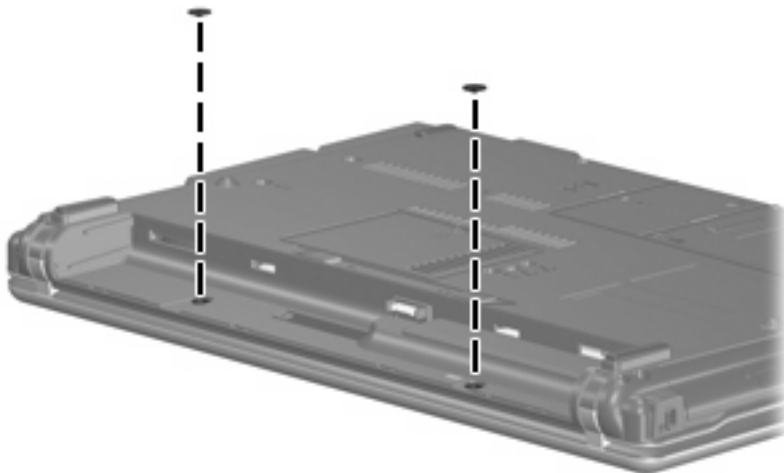


Where used: 2 screws that secure the ExpressCard assembly to the system board

Torx T8M2.5×3.0 broad-head screw

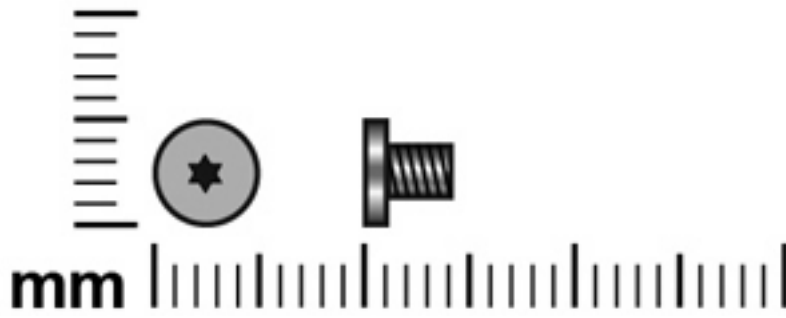


Color	Quantity	Length	Thread	Head diameter
Black	2	3.0 mm	2.5 mm	8.0 mm

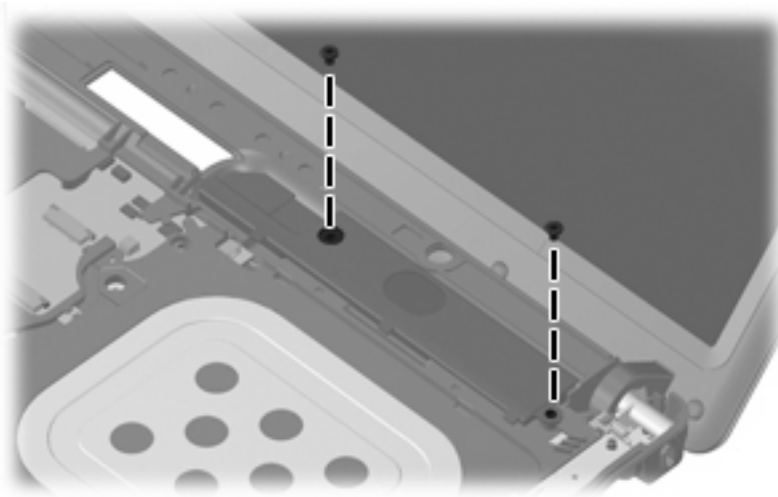


Where used: 2 screws that secure the switch cover to the computer

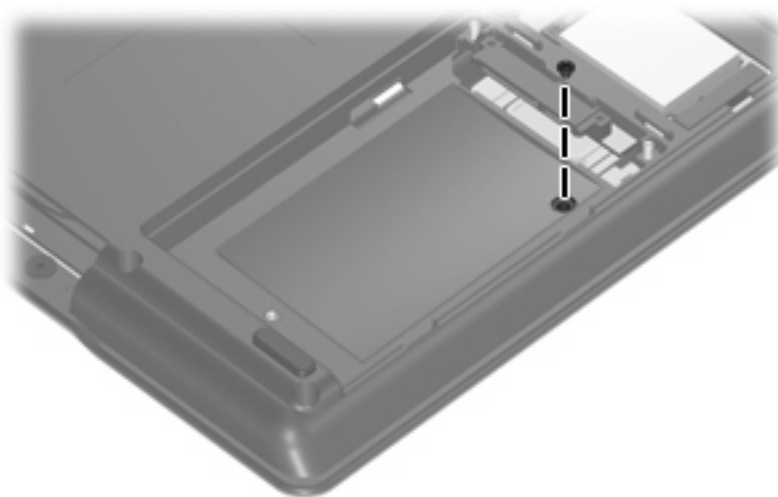
Torx T8M2.5×4.0 screw



Color	Quantity	Length	Thread	Head diameter
Black	3	4.0 mm	2.5 mm	5.0 mm

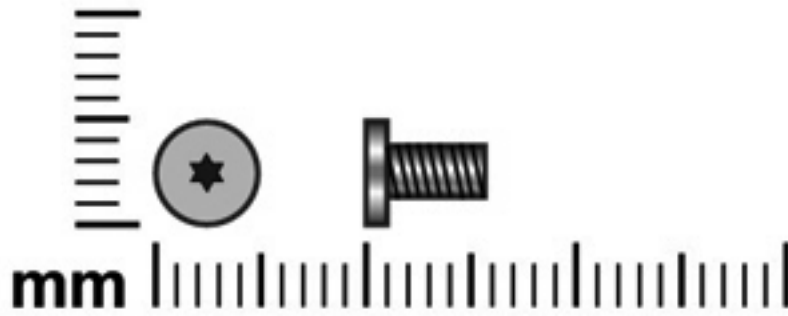


Where used: 2 screws that secure the speaker to the computer

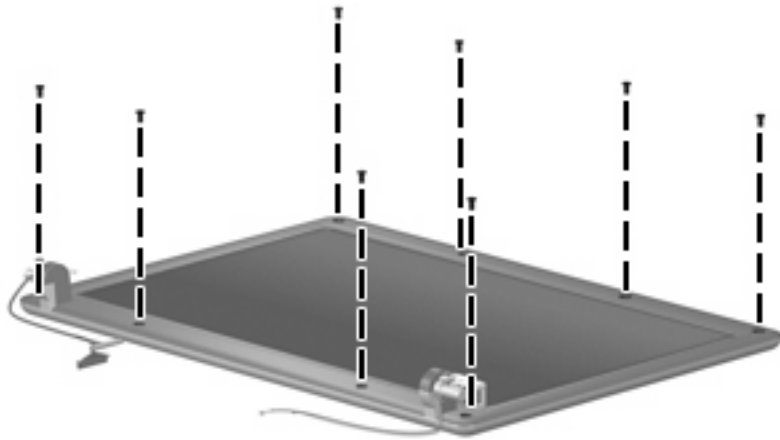


Where used: One screw that secures the top cover to the base enclosure

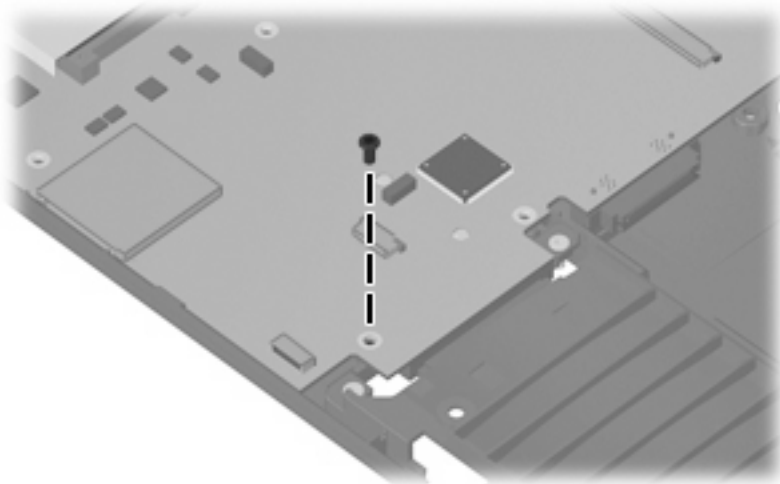
Torx T8M2.5×6.0 screw



Color	Quantity	Length	Thread	Head width
Black	9	6.0 mm	2.5 mm	5.0 mm

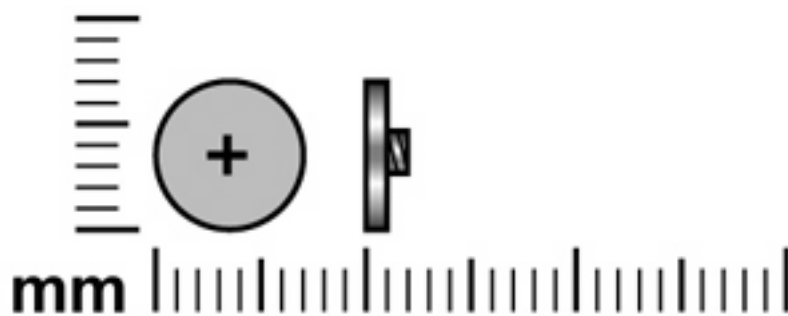


Where used: 8 screws that secure the display bezel to the display assembly

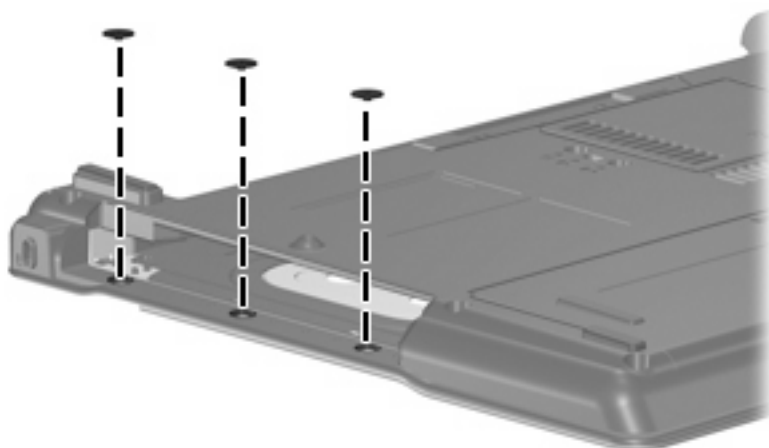


Where used: One screw that secures the system board to the base enclosure

Phillips PM2.0×2.0 broad-head screw

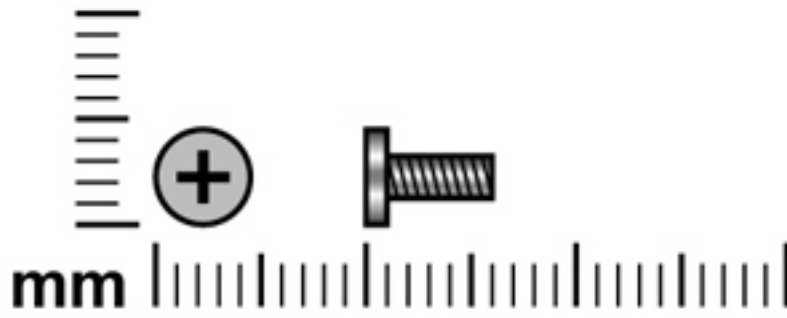


Color	Quantity	Length	Thread	Head diameter
Black	3	2.0 mm	2.0 mm	7.0 mm

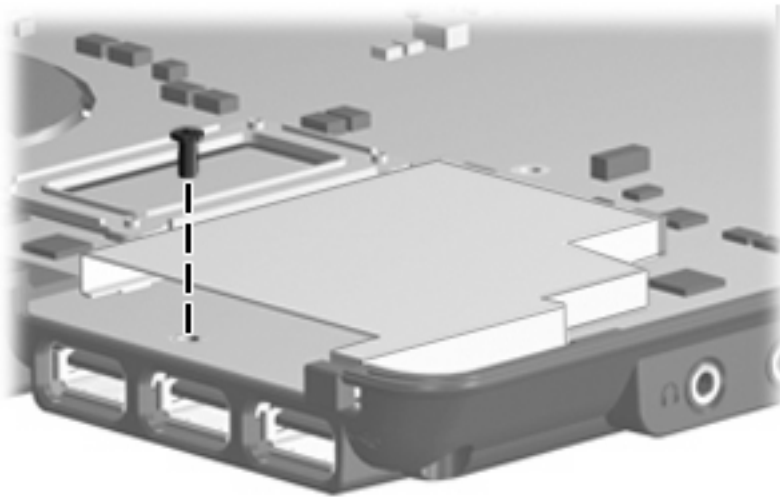


Where used: 3 screws that secure the top cover to the display enclosure

Phillips PM2.0×6.0 screw

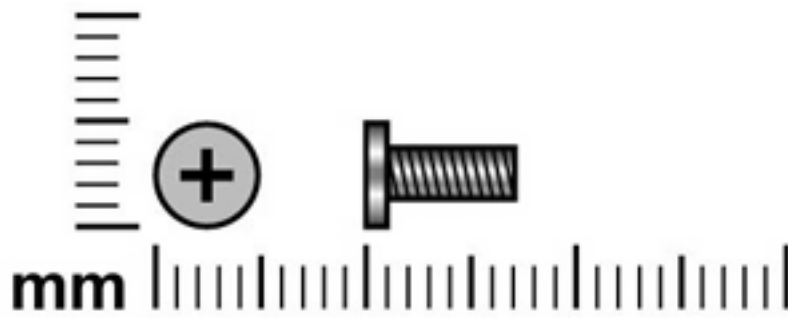


Color	Quantity	Length	Thread	Head diameter
Black	1	6.0 mm	2.0 mm	4.5 mm

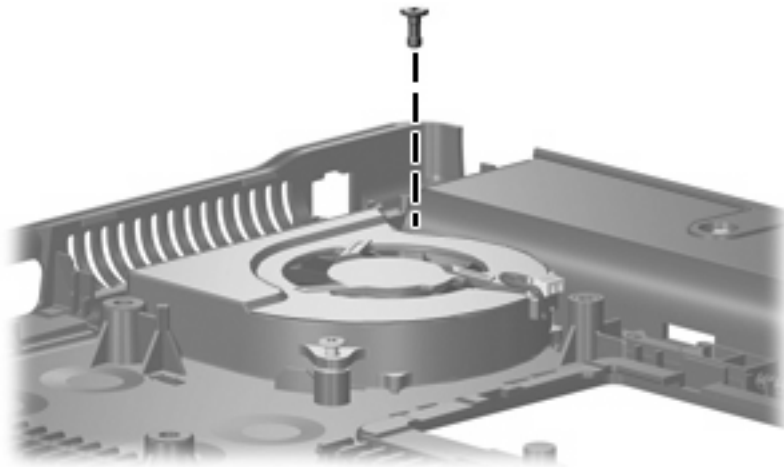


Where used: One screw that secures the system board to the base enclosure

Phillips PM2.5×7.0 screw

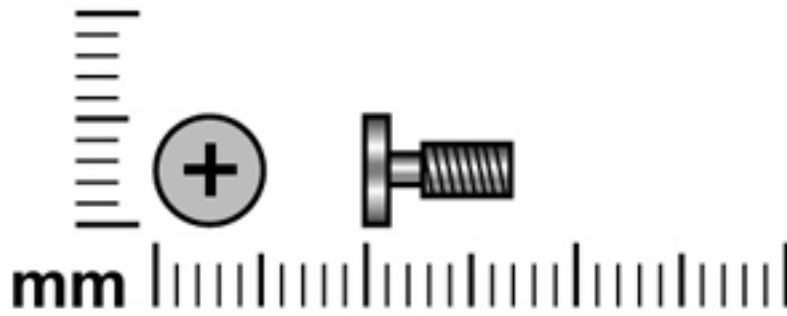


Color	Quantity	Length	Thread	Head diameter
Black	1	7.0 mm	2.5 mm	5.0 mm

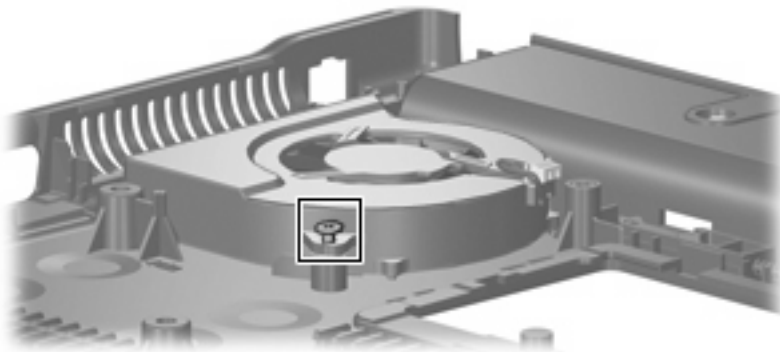


Where used: One screw that secures the fan to the base enclosure

Phillips PM2.5×7.0 captive screw

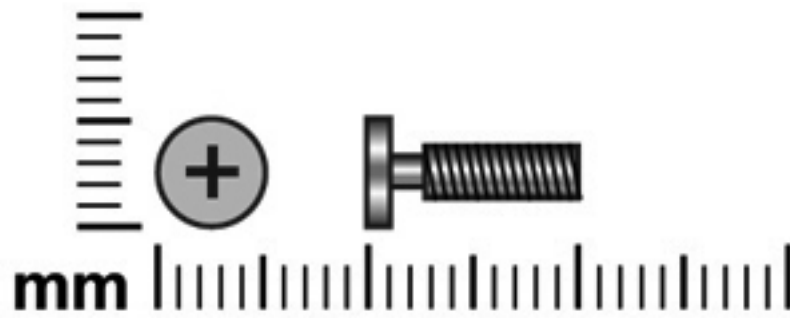


Color	Quantity	Length	Thread	Head diameter
Silver	1	7.0 mm	2.5 mm	5.0 mm

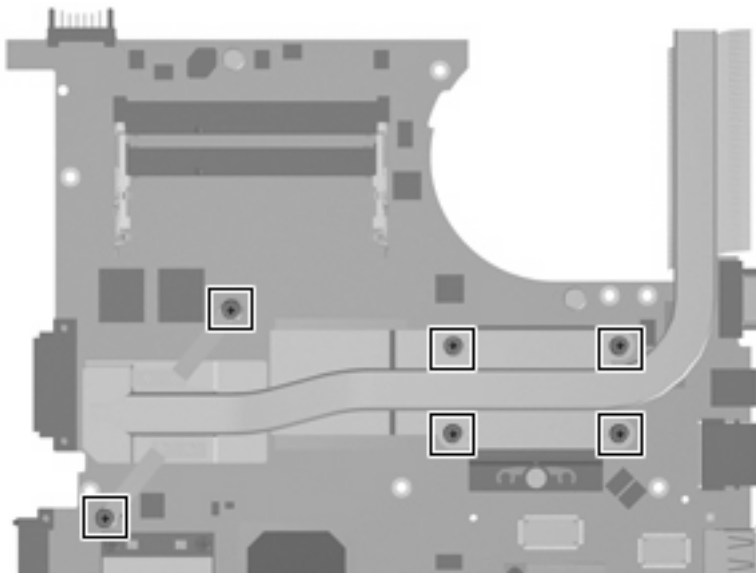


Where used: One captive screw that secures the fan to the base enclosure (screw is secured to the fan by a C-clip)

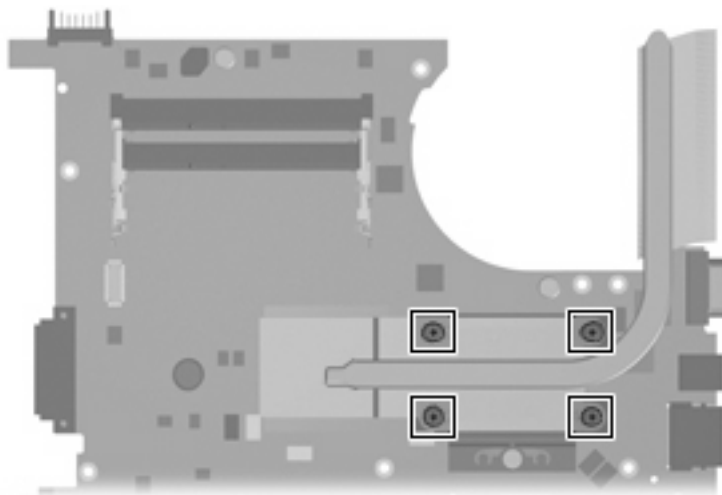
Phillips PM2.5×10.0 captive screw



Color	Quantity	Length	Thread	Head diameter
Silver	4 or 6	10.0 mm	2.5 mm	5.0 mm

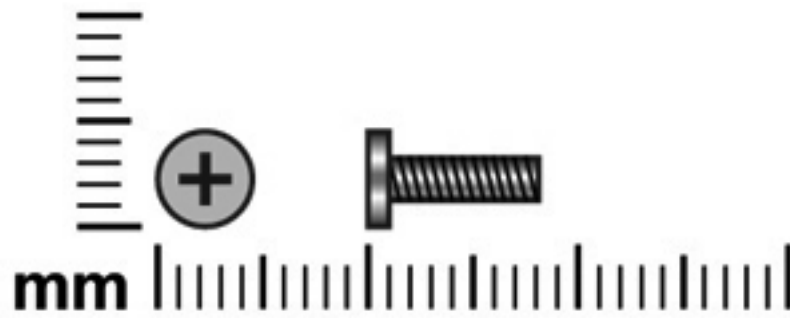


Where used: 6 captive screws that secure the heat sink to the system board on computer models equipped with discrete graphics subsystem memory (screws are secured to the heat sink by C-clips)

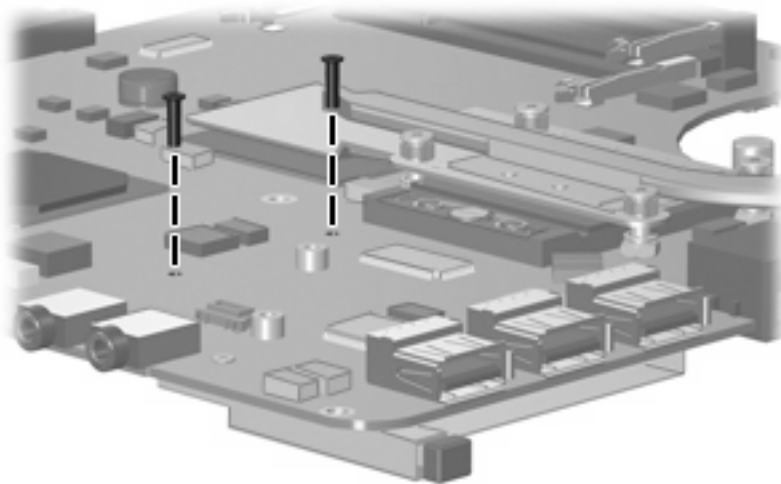


Where used: 4 captive screws that secure the heat sink to the system board on computer models equipped with UMA graphics subsystem memory (screws are secured to the heat sink by C-clips)

Phillips PM2.0×8.0 screw



Color	Quantity	Length	Thread	Head diameter
Black	2	8.0 mm	2.0 mm	4.5 mm



Where used: 2 screws that secure the ExpressCard assembly to the system board

8 Backup and recovery


Backup and recovery in Windows Vista

Overview

To protect your information, use the Backup and Restore Center to back up individual files and folders, back up your entire hard drive (select models only), or create system restore points. In case of system failure, you can use the backup files to restore the contents of your computer.

The Backup and Restore Center provides the following options:

- Backing up individual files and folders
- Backing up the entire hard drive (select models only)
- Scheduling automatic backups (select models only)
- Creating system restore points
- Recovering individual files
- Restoring the computer to a previous state
- Recovering information using recovery tools

 **NOTE:** For detailed instructions, perform a search for these topics in Help and Support.

NOTE: In case of system instability, HP recommends that you print the recovery procedures and save them for later use.

Backing up your information

Recovery after a system failure is as complete as your most current backup. You should create your initial backup immediately after software setup. As you add new software and data files, you should continue to back up your system on a regular basis to maintain a reasonably current backup.

You can back up your information to an optional external hard drive, a network drive, or discs.

Note the following when backing up:

- Store personal files in the Documents folder, and back it up regularly.
- Back up templates that are stored in their associated programs.
- Save customized settings that appear in a window, toolbar, or menu bar by taking a screen shot of your settings. The screen shot can be a time-saver if you have to reset your preferences.

To create a screen shot:

1. Display the screen you want to save.

2. Copy the screen image:

To copy only the active window, press **alt+fn+prt sc**.


To copy the entire screen, press **fn+prt sc**.

3. Open a word-processing document, and then select **Edit > Paste**.

The screen image is added to the document.


4. Save the document.

- When backing up to discs, use any of the following types of discs (purchased separately): CD-R, CD-RW, DVD+R, DVD+R DL, DVD-R, DVD-R DL, or DVD±RW. The discs you use will depend on the type of optical drive installed in your computer.

 **NOTE:** DVDs and DVDs with double-layer (DL) support store more information than CDs, so using them for backup reduces the number of recovery discs required.


- When backing up to discs, number each disc before inserting it into the optical drive of the computer.

To create a backup using Backup and Restore Center, follow these steps:

 **NOTE:** Be sure that the computer is connected to AC power before you start the backup process.

NOTE: The backup process may take over an hour, depending on file size and the speed of the computer.


1. Select **Start > All Programs > Maintenance > Backup and Restore Center**.
2. Follow the on-screen instructions to back up your entire computer (select models only) or your files.

 **NOTE:** Windows includes the User Account Control feature to improve the security of your computer. You may be prompted for your permission or password for tasks such as installing software, running utilities, or changing Windows settings. Refer to Help and Support for more information.

Performing a recovery

In case of system failure or instability, the computer provides the following tools to recover your files:


- Windows recovery tools: You can use the Backup and Restore Center to recover information you have previously backed up. You can also use Windows Startup Repair to fix problems that might prevent Windows from starting correctly.
- **f11** recovery tools: You can use the **f11** recovery tools to recover your original hard drive image. The image includes the Windows operating system and software programs installed at the factory.

 **NOTE:** If you are unable to boot (start up) your computer, you must purchase a Windows Vista operating system DVD to reboot the computer and repair the operating system. For additional information, refer to the “Using a Windows Vista operating system DVD (purchased separately)” section in this guide.

Using the Windows recovery tools

To recover information you previously backed up, follow these steps:


1. Click **Start > All Programs > Maintenance > Backup and Restore Center**.
2. Follow the on-screen instructions to recover your entire computer (select models only) or your files.

 **NOTE:** Windows includes the User Account Control feature to improve the security of your computer. You may be prompted for your permission or password for tasks such as installing software, running utilities, or changing Windows settings. Refer to Help and Support for more information.


To recover your information using Startup Repair, follow these steps:

△ **CAUTION:** Using Startup Repair completely erases hard drive contents and reformats the hard drive. All files you have created and any software installed on the computer are permanently removed. When reformatting is complete, the recovery process restores the operating system, as well as the drivers, software, and utilities from the backup used for recovery.

1. If possible, back up all personal files.
2. If possible, check for the presence of the Windows partition and the HP Recovery partition. To find the partitions, select **Start > Computer**.

 **NOTE:** If the Windows partition and the HP Recovery partition have been deleted, you must recover your operating system and programs using the Windows Vista operating system DVD and the *Driver Recovery* disc (both purchased separately). For additional information, refer to the “Using a Windows Vista operating system DVD (purchased separately)” section in this guide.

3. Restart the computer, and then press **f8** before the Windows operating system loads.
4. Select **Repair your computer**.
5. Follow the on-screen instructions.


 **NOTE:** For additional information on recovering information using the Windows tools, perform a search for these topics in Help and Support.

Using f11

△ **CAUTION:** Using **f11** completely erases hard drive contents and reformats the hard drive. All files you have created and any software installed on the computer are permanently removed. The **f11** recovery tool reinstalls the operating system and HP programs and drivers that were installed at the factory. Software not installed at the factory must be reinstalled.

To recover the original hard drive image using **f11**, follow these steps:

1. If possible, back up all personal files.
2. If possible, check for the presence of the HP Recovery partition. To find the partition, select **Start > Computer**.

 **NOTE:** If the HP Recovery partition has been deleted, you must recover your operating system and programs using the Windows Vista operating system DVD and the *Driver Recovery* disc (both purchased separately). For additional information, refer to the “Using a Windows Vista operating system DVD (purchased separately)” section in this guide.


3. Turn on or restart the computer, and then press **esc** while the “Press the ESC key for Startup Menu” message is displayed at the bottom of the screen.
4. Press **f11** while the “Press <F11> for recovery” message is displayed on the screen.
5. Follow the on-screen instructions.

Using a Windows Vista operating system DVD (purchased separately)

If you are unable to boot (start up) your computer, you must purchase a Windows Vista operating system DVD to reboot the computer and repair the operating system. Make sure that your most recent backup (stored on discs or on an external drive) is easily accessible. To order a Windows Vista operating system DVD, go to <http://www.hp.com/support>, select your country or region, and follow the on-screen instructions. You can also order the DVD by calling technical support. For contact information, refer to the *Worldwide Telephone Numbers* booklet included with the computer.

△ **CAUTION:** Using a Windows Vista operating system DVD completely erases hard drive contents and reformats the hard drive. All files you have created and any software installed on the computer are permanently removed. When reformatting is complete, the recovery process helps you restore the operating system, as well as drivers, software, and utilities.

To initiate recovery using a Windows Vista operating system DVD, follow these steps:

 **NOTE:** This process takes several minutes.

1. If possible, back up all personal files.
2. Restart the computer, and then insert the Windows Vista operating system DVD into the optical drive before the Windows operating system loads.
3. When prompted, press any keyboard key.
4. Follow the on-screen instructions.
5. Click **Next**.
6. Select **Repair your computer**.
7. Follow the on-screen instructions.


Backup and Recovery in Windows XP

Overview

To protect your information, use the Windows Backup utility (select models only) to back up files and folders or create recovery points. In case of system failure, you can use the backup files to restore your computer.

Windows provides the following options:

- Backing up individual files and folders
- Backing up all files and folders
- Scheduling automatic backups
- Creating recovery points
- Recovering information

 **NOTE:** For detailed instructions, perform a search for these topics in Help and Support.

NOTE: In case of system instability, HP recommends that you print the recovery procedures and save them for later use.

Backing up your information

Recovery after a system failure is as complete as your most current backup. You should create your initial backup immediately after software setup. As you add new software and data files, you should continue to back up your system on a regular basis to maintain a reasonably current backup.

You can back up individual files or folders to an optional external hard drive or to a network drive.


Note the following when backing up:

- Store personal files in the My Documents folder, and back it up periodically.
- Back up templates stored in their associated programs.
- Save customized settings that appear in a window, toolbar, or menu bar by taking a screen shot of your settings. The screen shot can be a time saver if you have to reset your preferences.

To copy the screen and paste it into a word-processing document:

- a. Display the screen you want to save.
- b. Copy the screen image:
 - To copy only the active window, press **alt+fn+prt sc**.
 - To copy the entire screen, press **fn+prt sc**.
- c. Open a word-processing document, click **Edit > Paste**.
 - The screen image is added to the document.
- d. Save the document.

To create a backup using the Windows Backup utility (select models only), follow these steps:

 **NOTE:** Be sure that the computer is connected to AC power before you start the backup process.

NOTE: The backup process may take over an hour, depending on file size and the speed of the computer.

1. Click **Start > All Programs > Accessories > System Tools > Backup**.
2. Follow the on-screen instructions.

Performing a recovery

In case of system failure or instability, the computer provides the following tools to recover your files:

- Windows recovery tools (select models only): You can use the Windows Backup utility to recover information you have previously backed up.
- *Operating System* and *Driver Recovery* discs (included with your computer): You can use the discs to recover your operating system and programs installed at the factory.


Recovering your information

To recover information you previously backed up, follow these steps:


1. If possible, back up all personal files.
2. Click **Start > All Programs > Accessories > System Tools > Backup**.

The Backup or Restore Wizard opens.

3. Click **Restore files and settings**, and then click **Next**.
4. Follow the on-screen instructions.

 **NOTE:** For additional information on initiating a recovery in Windows, perform a search for this topic in Help and Support.

Recovering the operating system and programs

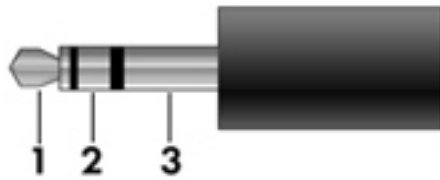
 **CAUTION:** The recovery process reformats and completely erases the hard drive. All files you have created and any software installed on the computer are permanently removed. The recovery process reinstalls the original operating system, software, and drivers. Software, drivers, and updates not installed by HP must be manually reinstalled.

To recover your operating system and programs, follow these steps:

1. If possible, back up all personal files.
2. Insert the *Operating System* disc into the optical drive.
3. Shut down the computer.
4. Turn on the computer.
5. Follow the on-screen instructions to install the operating system.
6. After the operating system is installed, remove the *Operating System* disc and insert the *Driver Recovery* disc.
7. Follow the on-screen instructions to install the drivers and programs.

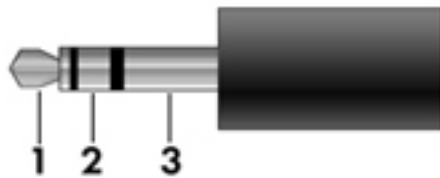
9 Connector pin assignments

Audio-out (headphone)



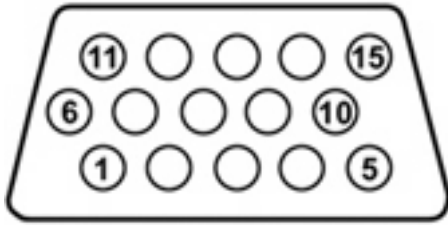
Pin	Signal
1	Audio out, left channel
2	Audio out, right channel
3	Ground

Audio-in (microphone)



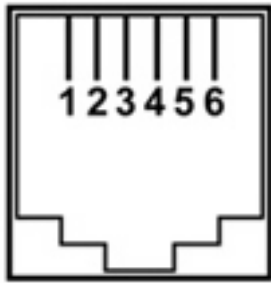
Pin	Signal
1	Audio signal in
2	Audio signal in
3	Ground

External monitor



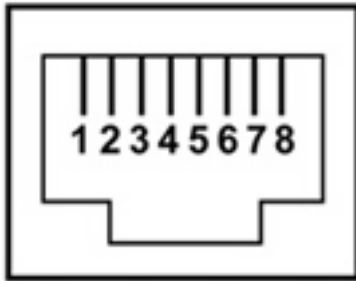
Pin	Signal
1	Red analog
2	Green analog
3	Blue analog
4	Not connected
5	Ground
6	Ground analog
7	Ground analog
8	Ground analog
9	+5 VDC
10	Ground
11	Monitor detect
12	DDC 2B data
13	Horizontal sync
14	Vertical sync
15	DDC 2B clock

RJ-11 (modem)



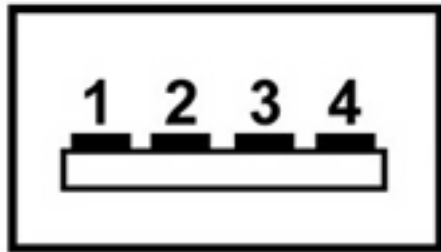
Pin	Signal
1	Unused
2	Tip
3	Ring
4	Unused
5	Unused
6	Unused

RJ-45 (network)



Pin	Signal
1	Transmit +
2	Transmit -
3	Receive +
4	Unused
5	Unused
6	Receive -
7	Unused
8	Unused

Universal Serial Bus



Pin	Signal
1	+5 VDC
2	Data -
3	Data +
4	Ground

10 Power cord set requirements

The wide range input feature of the computer permits it to operate from any line voltage from 100 to 120 volts AC or from 220 to 240 volts AC.

The 3-conductor power cord set included with the computer meets the requirements for use in the country or region where the equipment is purchased.

Power cord sets for use in other countries and regions must meet the requirements of the country or region where the computer is used.

Requirements for all countries and regions

The requirements listed below are applicable to all countries and regions:

- The length of the power cord set must be at least 1.5 m (5.0 ft) and no more than 2.0 m (6.5 ft).
- All power cord sets must be approved by an acceptable accredited agency responsible for evaluation in the country or region where the power cord set will be used.
- The power cord sets must have a minimum current capacity of 10 amps and a nominal voltage rating of 125 or 250 V AC, as required by the power system of each country or region.
- The appliance coupler must meet the mechanical configuration of an EN 60 320/IEC 320 Standard Sheet C13 connector for mating with the appliance inlet on the back of the computer.

Requirements for specific countries and regions

Country/region	Accredited agency	Applicable note number
Australia	EANSW	1
Austria	OVE	1
Belgium	CEBC	1
Canada	CSA	2
Denmark	DEMKO	1
Finland	FIMKO	1
France	UTE	1
Germany	VDE	1
Italy	IMQ	1
Japan	METI	3
South Korea	EK	4
The Netherlands	KEMA	1
Norway	NEMKO	1
The People's Republic of China	CCC	5
Sweden	SEMKO	1
Switzerland	SEV	1
Taiwan	BSMI	4
The United Kingdom	BSI	1
The United States	UL	2

1. The flexible cord must be Type HO5VV-F, 3-conductor, 1.0-mm² conductor size. Power cord set fittings (appliance coupler and wall plug) must bear the certification mark of the agency responsible for evaluation in the country or region where it will be used.
2. The flexible cord must be Type SPT-3 or equivalent, No. 18 AWG, 3-conductor. The wall plug must be a two-pole grounding type with a NEMA 5-15P (15 A, 125 V) or NEMA 6-15P (15 A, 250 V) configuration.
3. The appliance coupler, flexible cord, and wall plug must bear a "T" mark and registration number in accordance with the Japanese Dentori Law. The flexible cord must be Type VCT or VCTF, 3-conductor, 1.00-mm² conductor size. The wall plug must be a two-pole grounding type with a Japanese Industrial Standard C8303 (7 A, 125 V) configuration.
4. The flexible cord must be Type RVV, 3-conductor, 0.75-mm² conductor size. Power cord set fittings (appliance coupler and wall plug) must bear the certification mark of the agency responsible for evaluation in the country or region where it will be used.
5. The flexible cord must be Type VCTF, 3-conductor, 0.75-mm² conductor size. Power cord set fittings (appliance coupler and wall plug) must bear the certification mark of the agency responsible for evaluation in the country or region where it will be used.

11 Recycling

Battery

When a battery has reached the end of its useful life, do not dispose of the battery in general household waste. Follow the local laws and regulations in your area for computer battery disposal.

Display

-
- ⚠ **WARNING!** The backlight contains mercury. Exercise caution when removing and handling the backlight to avoid damaging this component and causing exposure to the mercury.
 - ⚠ **CAUTION:** The procedures in this appendix can result in damage to display components. The only components intended for recycling purposes are the liquid crystal display (LCD) panel and the backlight. Careful handling must be exercised when removing these components. When you remove these components, handle them carefully.
 - 📄 **NOTE: Materials Disposal.** This HP product contains mercury in the backlight in the display assembly that might require special handling at end-of-life. Disposal of mercury may be regulated because of environmental considerations. For disposal or recycling information, contact your local authorities, or see the Electronic Industries Alliance (EIA) Web site at <http://www.eiae.org>.
-

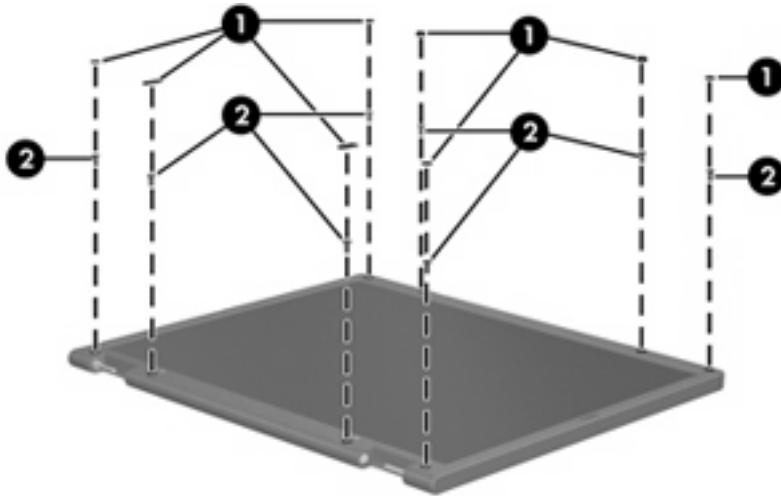
This section provides disassembly instructions for the display assembly. The display assembly must be disassembled to gain access to the backlight **(1)** and the liquid crystal display (LCD) panel **(2)**.



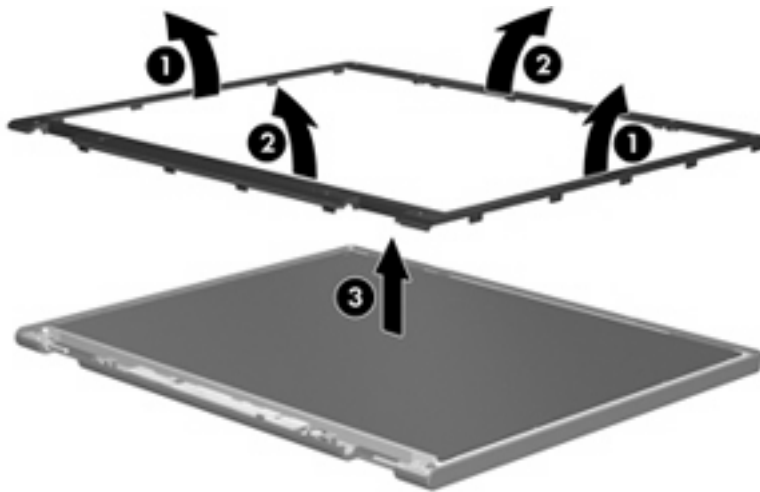
-
- 📄 **NOTE:** The procedures provided in this appendix are general disassembly instructions. Specific details, such as screw sizes, quantities, and locations, and component shapes and sizes, can vary from one computer model to another.
-

Perform the following steps to disassemble the display assembly:

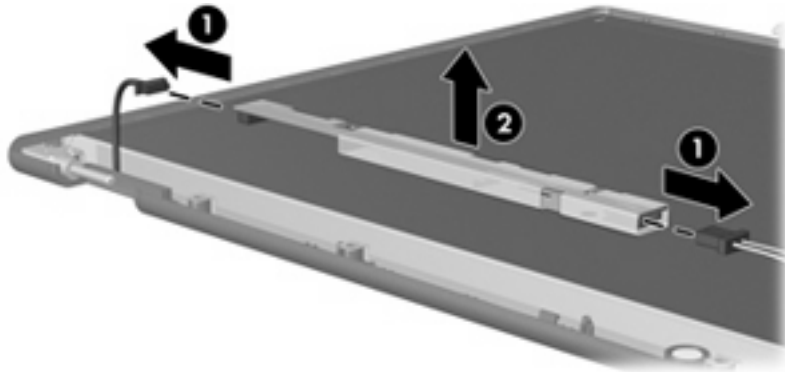
1. Remove all screw covers (1) and screws (2) that secure the display bezel to the display assembly.



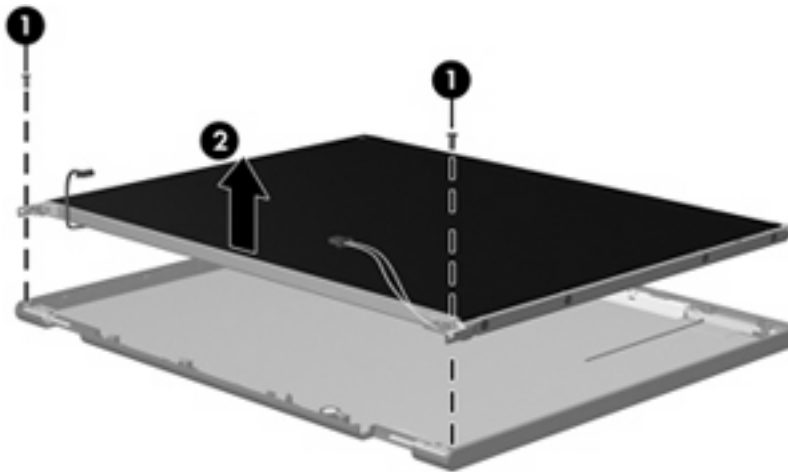
2. Lift up and out on the left and right inside edges (1) and the top and bottom inside edges (2) of the display bezel until the bezel disengages from the display assembly.
3. Remove the display bezel (3).



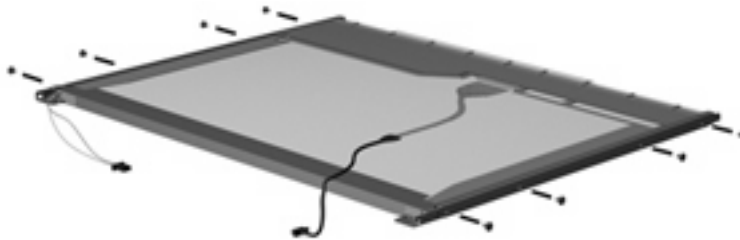
4. Disconnect all display panel cables (1) from the display inverter and remove the inverter (2).



5. Remove all screws (1) that secure the display panel assembly to the display enclosure.
6. Remove the display panel assembly (2) from the display enclosure.

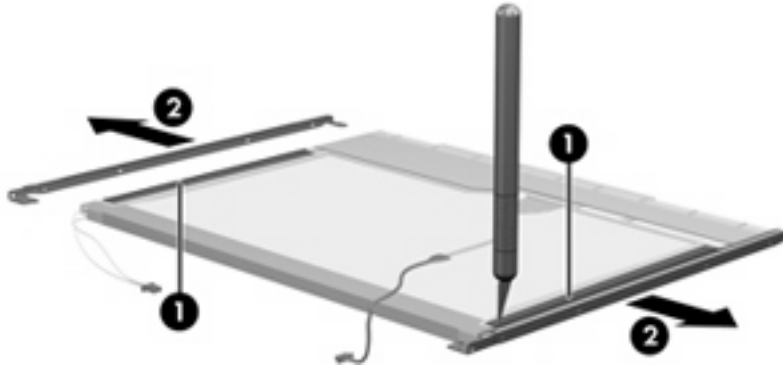


7. Turn the display panel assembly upside down.
8. Remove all screws that secure the display panel frame to the display panel.

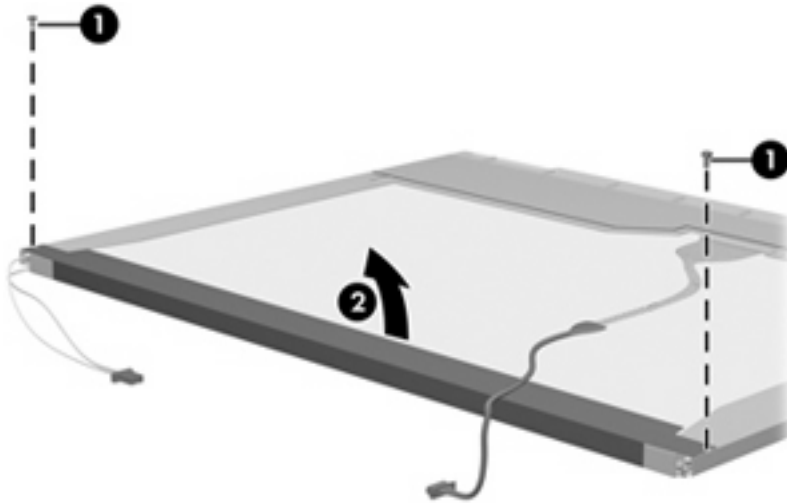


9. Use a sharp-edged tool to cut the tape (1) that secures the sides of the display panel to the display panel frame.

10. Remove the display panel frame (2) from the display panel.

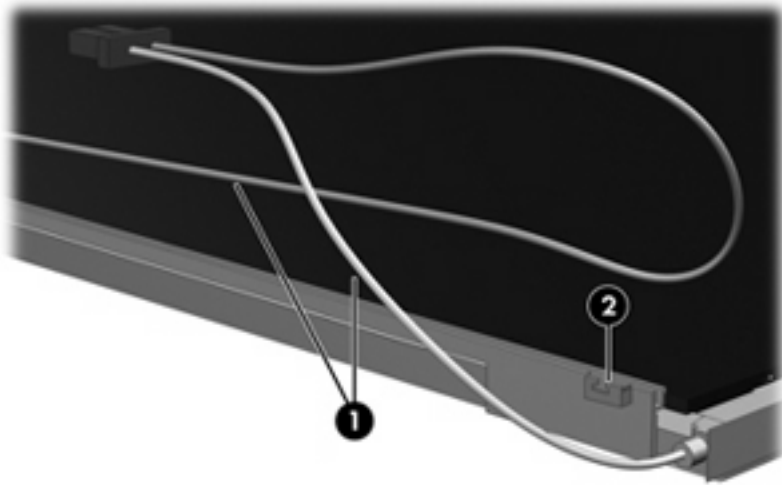


11. Remove the screws (1) that secure the backlight cover to the display panel.
12. Lift the top edge of the backlight cover (2) and swing it outward.



13. Remove the backlight cover.
14. Turn the display panel right-side up.

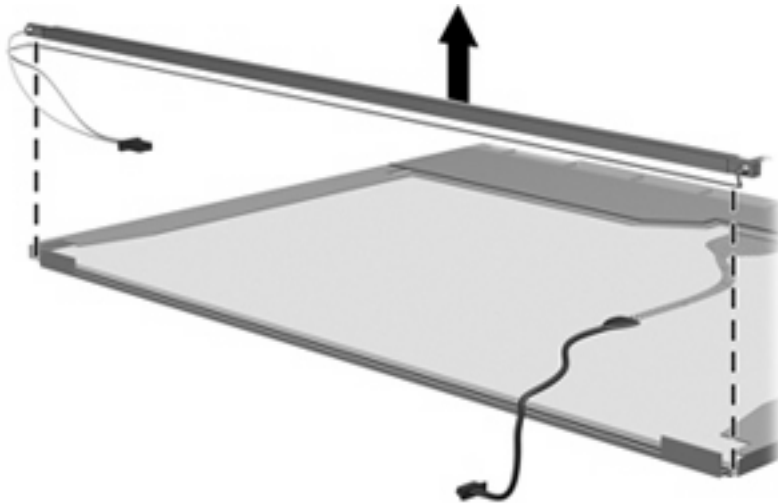
15. Remove the backlight cables (1) from the clip (2) in the display panel.



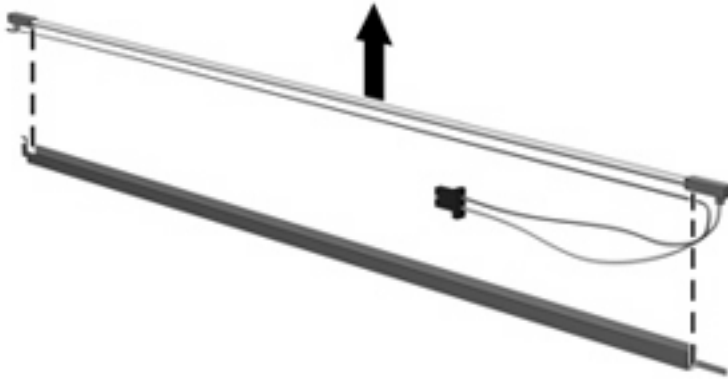
16. Turn the display panel upside down.

⚠ WARNING! The backlight contains mercury. Exercise caution when removing and handling the backlight to avoid damaging this component and causing exposure to the mercury.

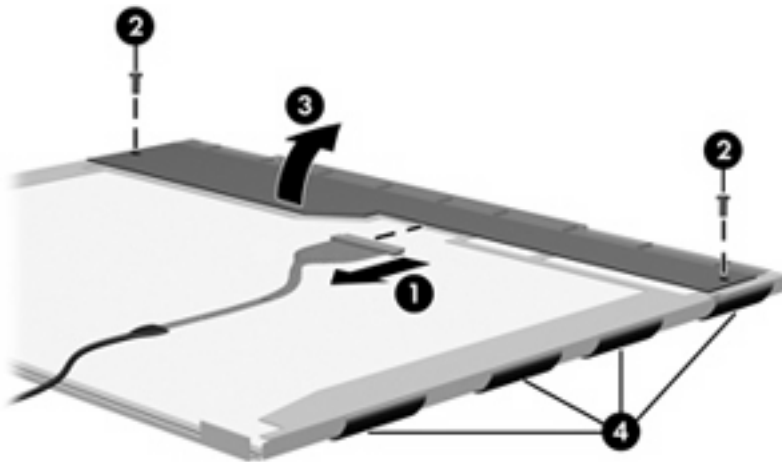
17. Remove the backlight frame from the display panel.



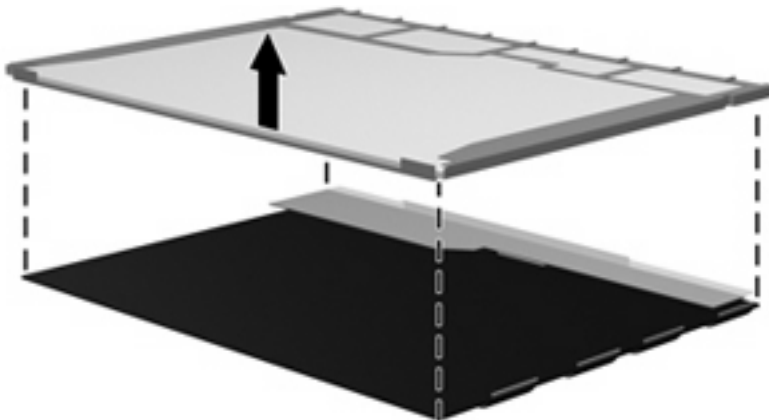
18. Remove the backlight from the backlight frame.



19. Disconnect the display panel cable (1) from the LCD panel.
20. Remove the screws (2) that secure the LCD panel to the display rear panel.
21. Release the LCD panel (3) from the display rear panel.
22. Release the tape (4) that secures the LCD panel to the display rear panel.



23. Remove the LCD panel.



24. Recycle the LCD panel and backlight.

Index

A

- AC adapter, spare part numbers 22, 24
- AD adapter, spare part numbers 24
- antenna, disconnecting 42
- antennae 13
- audio, product description 4
- audio-in jack
 - location 10
 - pin assignments 125
- audio-out jack
 - location 10
 - pin assignments 125

B

- backing up files 119
- backing up files and folders 123
- Backup and Restore Center 119, 120
- base enclosure
 - spare part numbers 17
- base enclosure, spare part numbers 27
- battery
 - location 12
 - removal 37
 - spare part numbers 17, 27, 37
- battery bay 12
- battery latches 12
- battery light 11
- Bluetooth module
 - removal 64
 - spare part numbers 17, 24, 64
- Bluetooth module cable
 - spare part numbers 20
- boot options 85
- boot order 85

- bottom components 12
- button components 8
- buttons
 - power 8
 - TouchPad 7
 - wireless 8

C

- Cable Kit
 - contents 20
 - spare part numbers 17, 20, 25
- cables, service considerations 30
- caps lock light 8
- carrying case, spare part numbers 22
- chipset, product description 1
- CMOS clearing 34
- components
 - bottom 12
 - buttons 8
 - front 10
 - keys 9
 - left-side 11
 - lights 8
 - pointing devices 7
 - right-side 10
 - speaker 8
 - top 7
 - TouchPad 7
- computer feet
 - locations 36
 - spare part numbers 36
- Computer Setup
 - accessing 81
 - Diagnostics menu 84
 - File menu 83
 - navigating and selecting 82
 - restoring factory settings 82
 - Security menu 84

- System Configuration
 - menu 85
 - using 82
- computer specifications 88
- connectors
 - power 11
 - service considerations 30
- creating a backup 119

D

- Diagnostics menu 84
- discrete base enclosure
 - spare part numbers 17
- discrete base enclosure, spare part numbers 25
- discs
 - Driver Recovery 124
 - Operating System 124
- Disk Sanitizer 84
- diskette drive
 - precautions 30
 - product description 3
 - spare part numbers 22
- display assembly
 - removal 53
 - spare part numbers 16, 27, 53
- display bezel
 - removal 55
 - spare part numbers 55
- display bezel, spare part numbers 16
- display component recycling 131
- display enclosure, spare part numbers 16, 27
- display hinge
 - removal 56
 - spare part numbers 16, 25, 57

- display inverter
 - removal 55
 - spare part numbers 16, 25, 56
- display lid switch module
 - removal 52
 - spare part numbers 20, 52
- display panel, removal 56
- display specifications 89
- DriveLock password 84
- Driver Recovery disc 124
- drives
 - boot order 85
 - preventing damage 30
- DVD-ROM Drive
 - removal 45
 - spare part numbers 26, 27, 45
- DVD-ROM drive
 - spare part numbers 17, 21
- DVD/CD-RW Combo Drive
 - precautions 30
 - removal 45
 - spare part numbers 17, 21, 27, 45
 - specifications 92
- DVD±RW and CD-RW Combo Drive
 - precautions 30
 - spare part numbers 21
 - specifications 91
- DVD±RW and CD-RW Super Multi Double-Layer Combo Drive with LightScribe
 - spare part numbers 27
- DVD±RW and CD-RW SuperMulti Double-Layer Combo Drive with LightScribe
 - removal 45
 - spare part numbers 17, 45

E

- electrostatic discharge 31
- esc key 9
- Ethernet, product description 4
- Execution Disable 86
- ExpressCard assembly
 - removal 79
 - spare part numbers 26, 66

- ExpressCard assembly, spare part numbers 16, 26
- ExpressCard slot 11
- ExpressCard slot insert, illustrated 19
- external media cards, product description 4
- external monitor port
 - location 11
 - pin assignments 126

F

- f11 recovery 121
- fan
 - removal 69
 - spare part numbers 16, 24, 69
- feet
 - locations 36
 - spare part numbers 36
- File menu 83
- files and folders
 - backing up 123
 - recovering 124
- fn key 9
- front components 10
- function keys 9

G

- graphics, product description 2
- grounding equipment and methods 33

H

- hard drive
 - location 12
 - precautions 30
 - product description 3
 - removal 38
 - spare part numbers 18, 21, 27, 38
 - specifications 90
- hard drive bay 12
- hard drive bay cover
 - illustrated 19
 - removal 38
- hard drive bracket, removal 39
- hard drive recovery 121
- hard drive test 84

- headphone jack
 - location 10
 - pin assignments 125
- heat sink
 - removal 71
 - spare part numbers 16, 25, 71
- hinge
 - removal 56
 - spare part numbers 16, 25, 57

I

- I/O address specifications 95
- interrupt specifications 94

J

- jacks
 - audio-in 10
 - audio-out 10
 - headphone 10
 - microphone 10
 - modem 11
 - network 11
 - RJ-11 11
 - RJ-45 11

K

- key components 9
- keyboard
 - product description 5
 - removal 47
 - spare part numbers 16, 26, 47
- keypad keys 9
- keys
 - esc 9
 - fn 9
 - function 9
 - keypad 9
 - Windows applications 9
 - Windows logo 9

L

- LAN Power Save 86
- language, changing in Computer Setup 85
- LCD cable kit
 - spare part number 28
- left-side components 11
- legacy support, USB 81, 85

- light components 8
- lights
 - battery 11
 - caps lock 8
 - power 9
 - wireless 8
- Logo Kit
 - spare part numbers 28
- Logo Kit, spare part numbers 22, 26
- M**
- mass storage devices, spare part numbers 21
- memory check 84
- memory map specifications 97
- memory module
 - product description 2
 - removal 43
 - spare part numbers 18, 27, 43
- memory module compartment 12
- memory module compartment cover
 - illustrated 19
 - removal 43
- microphone jack
 - location 10
 - pin assignments 125
- model name 1
- modem jack
 - location 11
 - pin assignments 127
- modem module
 - product description 4
 - removal 76
 - spare part numbers 17, 25, 26, 76
- monitor port
 - location 11
 - pin assignments 126
- N**
- network jack
 - location 11
 - pin assignments 128
- O**
- Operating System disc 124
- operating system, product description 5
- optical drive
 - location 10
 - precautions 30
 - product description 3
 - removal 45
 - spare part numbers 17, 21, 45
 - specifications 91, 92
- P**
- packing guidelines 32
- panels, product description 2
- parallel port mode 86
- password clearing 34
- passwords 84
- pin assignments
 - audio-in jack 125
 - audio-out jack 125
 - external monitor port 126
 - headphone jack 125
 - microphone jack 125
 - modem jack 127
 - monitor port 126
 - network jack 128
 - RJ-11 127
 - RJ-45 jack 128
 - Universal Serial Bus (USB) port 128
- plastic parts 29
- Plastics Kit
 - contents 19
 - spare part numbers 16, 19, 25
- pointing device
 - components 7
 - illustrated 7
- pointing device components
 - TouchPad 7
 - TouchPad buttons 7
 - TouchPad scroll zone 7
- pointing devices, product description 5
- ports
 - external monitor 11
 - monitor 11
 - product description 4
 - Universal Serial Bus (USB) 11
- power button 8
- power connector 11
- power cord
 - set requirements 129
 - spare part numbers 22, 26
- power light 9
- power requirements, product description 5
- power-on password 84
- processor
 - product description 1
 - removal 74
 - spare part numbers 17, 27, 28, 74
- product description
 - audio 4
 - chipset 1
 - diskette drive 3
 - Ethernet 4
 - external media cards 4
 - graphics 2
 - hard drives 3
 - keyboard 5
 - memory module 2
 - modem module 4
 - operating system 5
 - optical drives 3
 - panels 2
 - pointing devices 5
 - ports 4
 - power requirements 5
 - processors 1
 - product name 1
 - security 5
 - serviceability 6
 - wireless 4
- product name 1
- R**
- recovering information 120, 124
- recovery partition 121
- removal/replacement
 - preliminaries 29
 - procedures 35
- restoring the hard drive 121
- right-side components 10
- RJ-11 jack
 - location 11
 - pin assignments 127
- RJ-11 jack cable
 - release 67
 - spare part numbers 20

- RJ-45 jack
 - location 11
 - pin assignments 128
- RTC battery
 - removal 78
 - spare part numbers 17, 24, 78
- Rubber Kit, spare part numbers 27
- S**
- Screw Kit
 - contents 98
 - spare part numbers 23, 27
- screw listing 98
- SD Card Reader 10
- security cable slot 10
- Security menu 84
- security, product description 5
- serial number 14, 35
- service considerations 29
- serviceability, product description 6
- setup utility
 - accessing 81
 - Diagnostics menu 84
 - File menu 83
 - Security menu 84
 - System Configuration menu 85
- speaker
 - location 9
 - removal 51
 - spare part numbers 16, 25, 51
- specifications
 - computer 88
 - display 89
 - DVD/CD-RW Combo Drive 92
 - DVD±RW and CD-RW Combo Drive 91
 - hard drive 90
 - I/O addresses 95
 - interrupts 94
 - memory map 97
 - optical drive 91, 92
 - system DMA 93
- startup check 84
- static-shielding materials 33
- stringent security 84
- switch cover
 - removal 47
 - spare part numbers 16, 27, 47
- system board
 - removal 66
 - spare part numbers 16, 26, 28, 66
- System Configuration menu 85
- system DMA 93
- system fan 86
- system information 83
- system memory map 97
- T**
- thermal material, replacement 72, 73
- tools required 29
- top components 7
- top cover
 - removal 58
 - spare part numbers 16, 27, 58
- TouchPad
 - spare part numbers 16, 27
- TouchPad board
 - removal 61
 - spare part numbers 61
- TouchPad button board
 - removal 61
 - spare part numbers 16, 27, 61
- TouchPad buttons 7
- TouchPad components 7
- TouchPad scroll zone 7
- transporting guidelines 32
- U**
- unknown password 34
- USB legacy support 81, 85
- USB port
 - location 11
 - pin assignments 128
- V**
- vents 11, 12
- W**
- Windows applications key 9
- Windows Backup utility 123, 124
- Windows logo key 9
- Windows recovery 124
- Windows Vista operating system
 - DVD 121
- wireless antenna, disconnecting 42
- wireless antennae 13
- wireless button 8
- wireless light 8
- wireless, product description 4
- WLAN module
 - removal 40
 - spare part numbers 18, 40
- WLAN module compartment 12
- WLAN module compartment cover
 - illustrated 19
 - removal 42
- workstation guidelines 32

